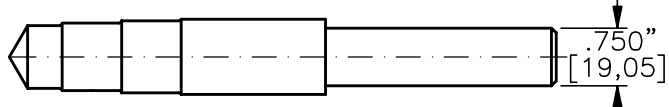


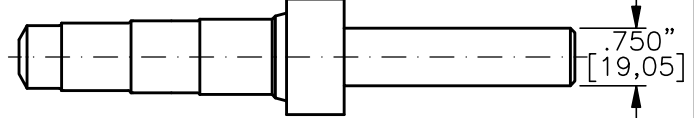
$\Phi$  THESE DIAMETERS MUST BE CONCENTRIC WITH EACH OTHER AND PERPENDICULAR TO THE SPOTFACE WITHIN .001"[0,025].

Cavity Roughing Tool



TOOL NO.: T1240-R-H  
 MATERIAL: High Speed Steel

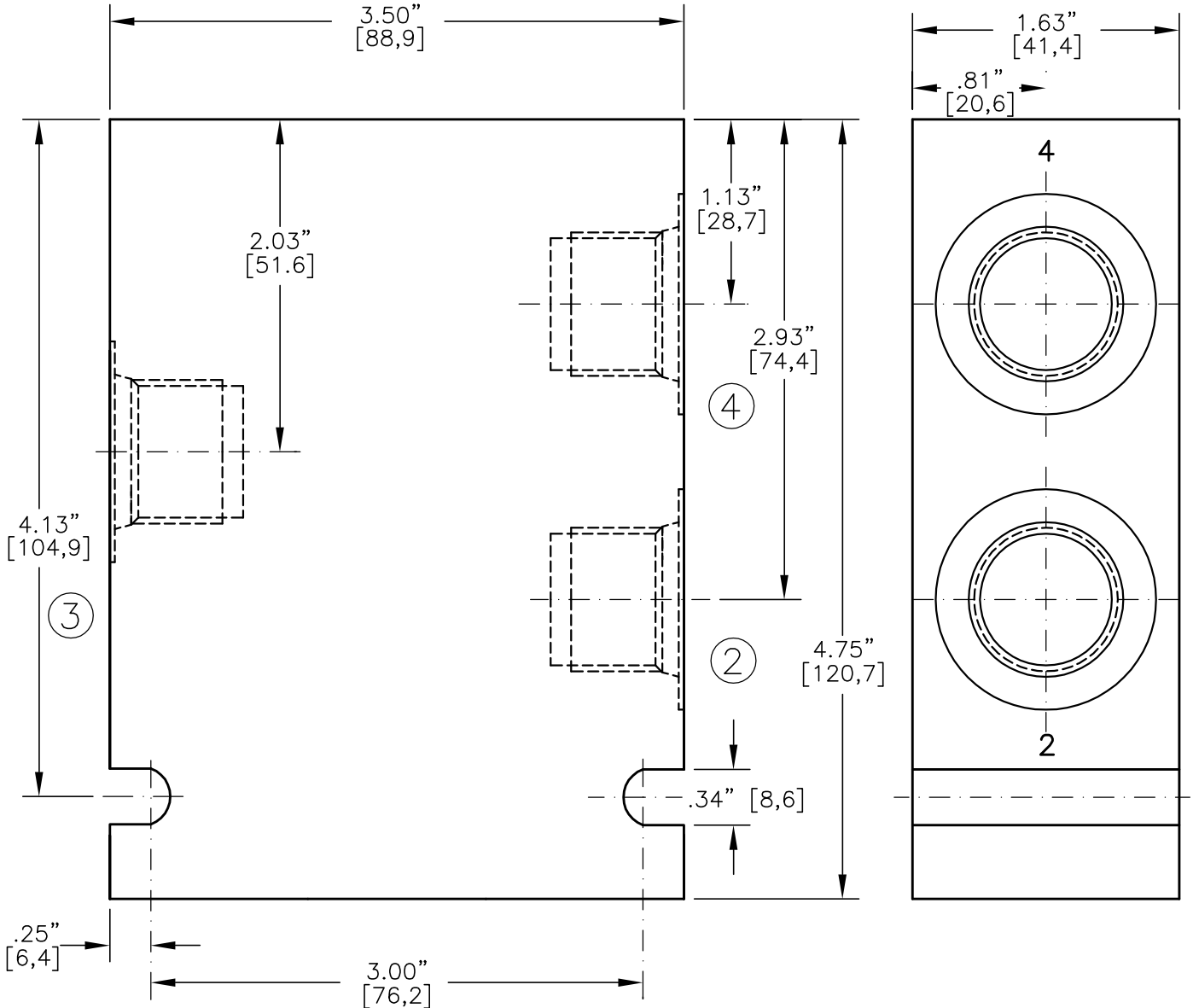
Cavity Finishing Tool



TOOL NO.: T1240-F-H  
 MATERIAL: High Speed Steel  
 TOOL NO.: T1240-F-C  
 MATERIAL: Tungsten Carbide Tipped



VALVE HOUSING, ALUMINUM OR STEEL.  
FOR FLOW DIVIDER/COMBINER VALVE



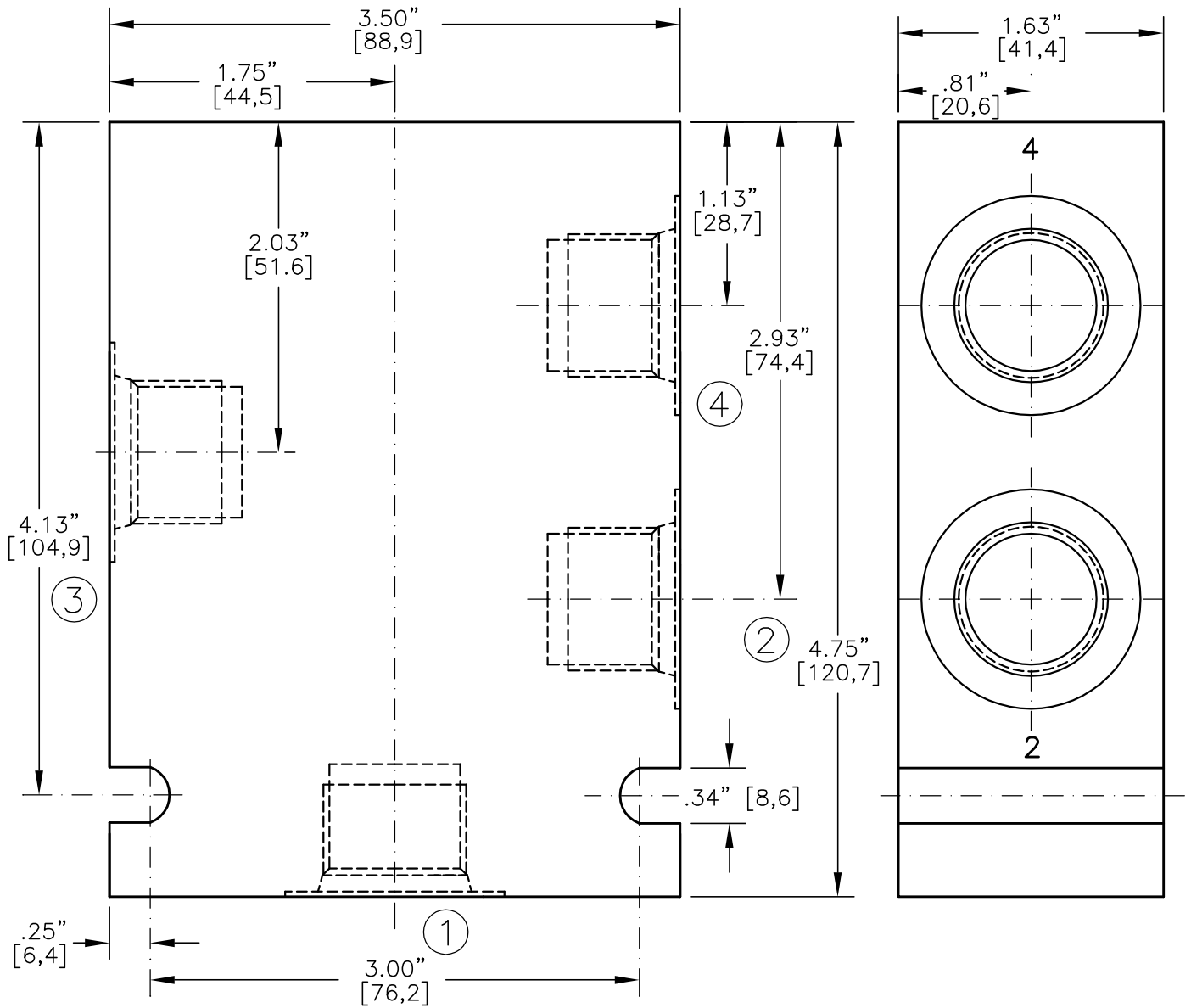
IN CERTAIN SITUATIONS THE STANDARD 4-WAY BODY SHOWN ON THE PRECEDING PAGE MAY BE USED IF PORT 1 IS PLUGGED. NOTE THE STANDARD BODY HAS ALL THE SAME SIZED PORTS WHILE THE FLOW DIVIDER/COMBINER BODY SHOWN HERE DOES NOT.

\* CONSULT FACTORY FOR HOUSINGS WITH NPTF PIPE THREADS

| CODE  | ALUMINUM HOUSING | CODE  | STEEL HOUSING | PORT 1 | PORT 2         | PORT 3         | PORT 4         |
|-------|------------------|-------|---------------|--------|----------------|----------------|----------------|
| 06PA* | 30353            | 06PS* | 30359         | NONE   | 1/2"-14 NPTF   | 3/4"-14 NPTF   | 1/2"-14 NPTF   |
| 06BA  | 30355            | 06BS  | 30361         | NONE   | G 1/2"-14 BSPP | G 3/4"-14 BSPP | G 1/2"-14 BSPP |
| 12TA  | 30357            | 12TS  | 30363         | NONE   | SAE - 10       | SAE - 12       | SAE - 10       |



VALVE HOUSING, ALUMINUM OR STEEL.



\* CONSULT FACTORY FOR HOUSINGS WITH NPTF PIPE THREADS

| CODE  | ALUMINUM HOUSING | CODE  | STEEL HOUSING | PORT 1         | PORT 2         | PORT 3         | PORT 4         |
|-------|------------------|-------|---------------|----------------|----------------|----------------|----------------|
| 04PA* | 30180            | 04PS* | 30186         | 1/2"-14 NPTF   | 1/2"-14 NPTF   | 1/2"-14 NPTF   | 1/2"-14 NPTF   |
| 06PA* | 30181            | 06PS* | 30187         | 3/4"-14 NPTF   | 3/4"-14 NPTF   | 3/4"-14 NPTF   | 3/4"-14 NPTF   |
| 04BA  | 30182            | 04BS  | 30188         | G 1/2"-14 BSPP | G 1/2"-14 BSPP | G 1/2"-14 BSPP | G 1/2"-14 BSPP |
| 06BA  | 30183            | 06BS  | 30189         | G 3/4"-14 BSPP | G 3/4"-14 BSPP | G 3/4"-14 BSPP | G 3/4"-14 BSPP |
| 10TA  | 30184            | 10TS  | 30190         | SAE - 10       | SAE - 10       | SAE - 10       | SAE - 10       |
| 12TA  | 30185            | 12TS  | 30191         | SAE - 12       | SAE - 12       | SAE - 12       | SAE - 12       |