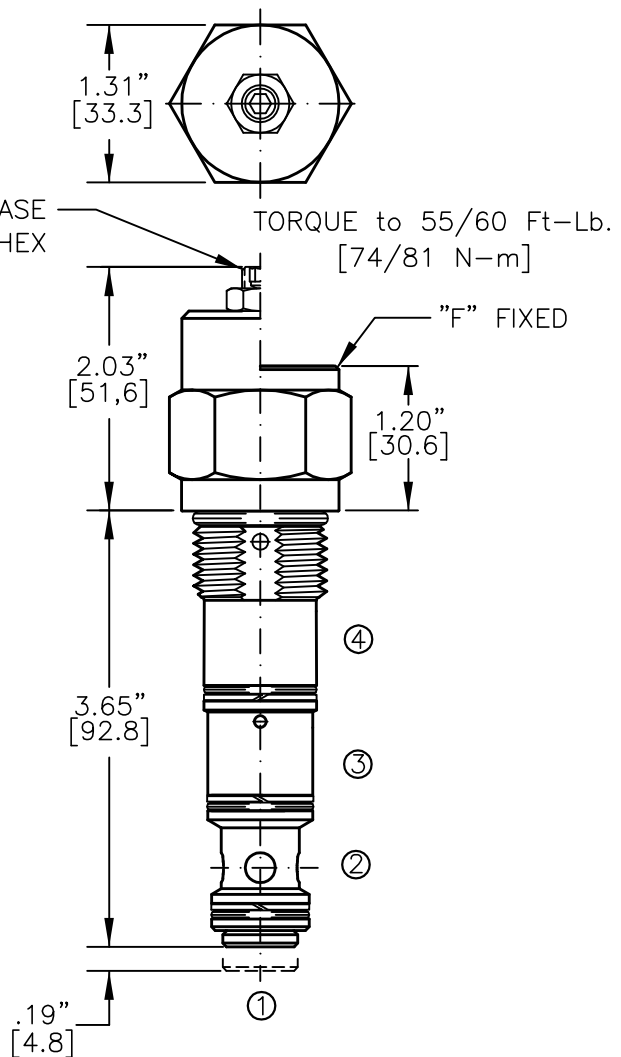
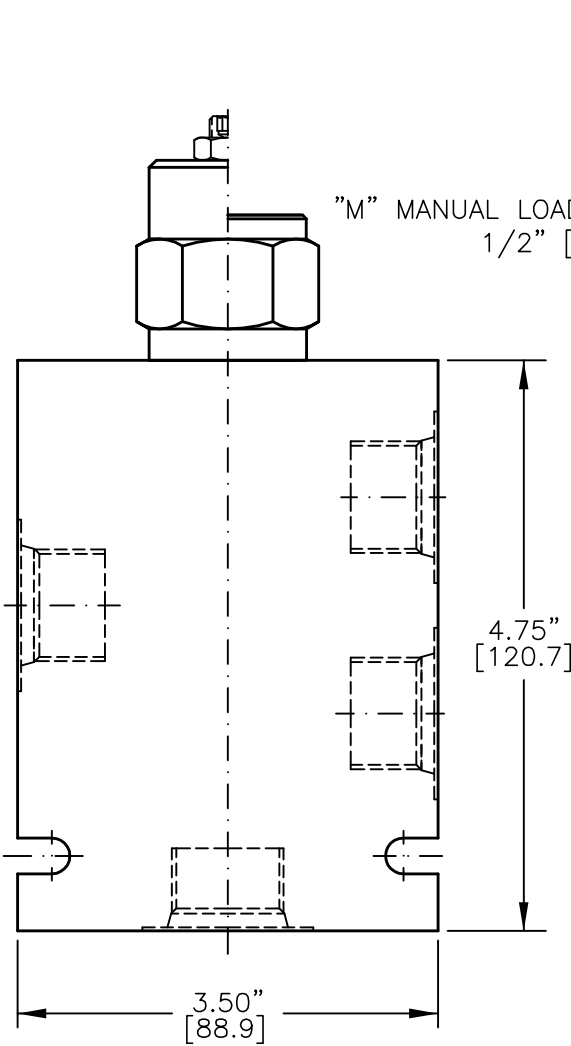
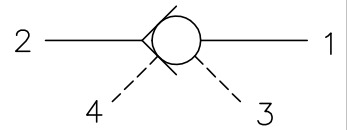




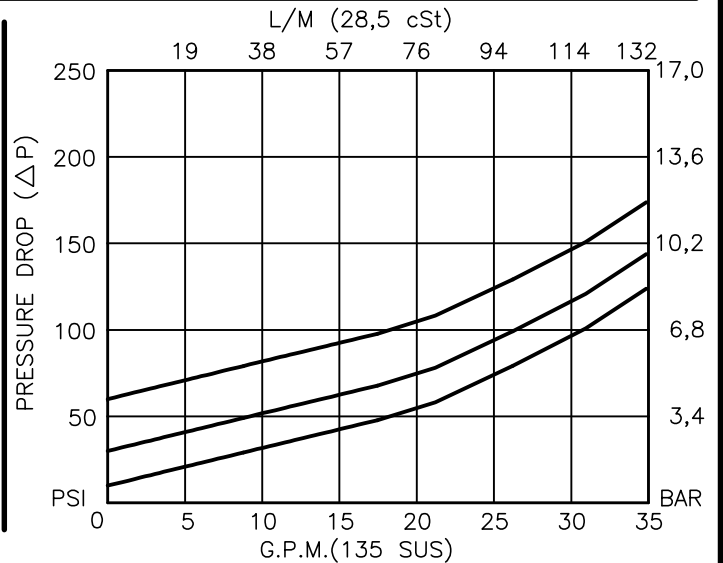
PILOT OPERATED CHECK VENTED POPPET TYPE, PILOT TO OPEN, 3 TO 1 PILOT RATIO.



NOTE: CAVITY BOTTOM HOLE MUST ALLOW FOR POPPET EXTENSION(.750 DIA.).
FOR ALUMINUM OR STEEL VALVE HOUSING CONFIGURATIONS SEE PAGE 0-023-1.

POCV-12-X-X-X-XXX

- BASIC
- SIZE
12 = 1.062"-12 UNF
- SEALS
N = BUNA "N"
V = VITON
- ADJUSTMENT
F = FIXED
M = MANUAL RELEASE
- CRACK PRESSURE
010 = 10 PSI
030 = 30 PSI
060 = 60 PSI
- PORTS
0 = CARTRIDGE ONLY
04BX = G 1/2" BSPP
06BX = G 3/4" BSPP
10TX = SAE - #10
12TX = SAE - #12
- "A" - ALUM. HOUSING
"S" - STEEL HOUSING





PILOT OPERATED CHECK VENTED POPPET TYPE, PILOT TO OPEN, 3 TO 1 PILOT RATIO.

DESCRIPTION

This unit is a SCREW IN, cartridge type, guided poppet, hydraulic pilot operated check vented valve, for use as a blocking or load holding device for high pressure applications.

OPERATIONS

This valve allows free flow from port 2 to port 1 and blocks flow from port 1 to port 2 or holding a load. Flow will be allowed from port 1 to port 2 when pressure is applied to port 4. This pilot operated check valve has a 3 to 1 pilot ratio, meaning that it takes at least one-third of the load pressure held at port 1 that is required at port 4 to open the valve.

FEATURES AND BENEFITS

A low friction seal on pilot piston is standard.
A separate heavy spring assures fast return of the pilot piston for a very quick, reliable and positive valve re-seat.
Optional screw type manual load release is available.
All external carbon steel parts are plated for longer life against the elements.
All cartridge valves are 100% functionally tested.
Industry common cavity.

SPECIFICATIONS

OPERATING PRESSURE: 5,000 PSI [350 Bar]
PROOF PRESSURE: 10,000 PSI [700 Bar]
FLOW: 35.0 GPM [132.4 l/m] nominal. See performance chart.
PILOT RATIO: 3 TO 1
INTERNAL LEAKAGE: 5 drops per minute maximum @ 5,000 PSI [350 Bar]
VALVE HOUSINGS: 2500 PSI [175 Bar] = Aluminum - Anodized.
5000 PSI [350 Bar] = Steel - Unplated.
OPERATING TEMPERATURE: -40° to +250° F. [-40° to +120° C.]
OPERATING MEDIA: All general purpose hydraulic fluids such as MIL-H-5606, SAE-#10, SAE-#20, etc.
INSTALLATION: No restrictions.
SEAL KIT: SKN-1242 Buna "N"
SKV-1242 Viton
WEIGHT: 0.80 lb [0,36 kg] cartridge only.
VALVE CAVITY: #C1240, See Page 0-043.0.