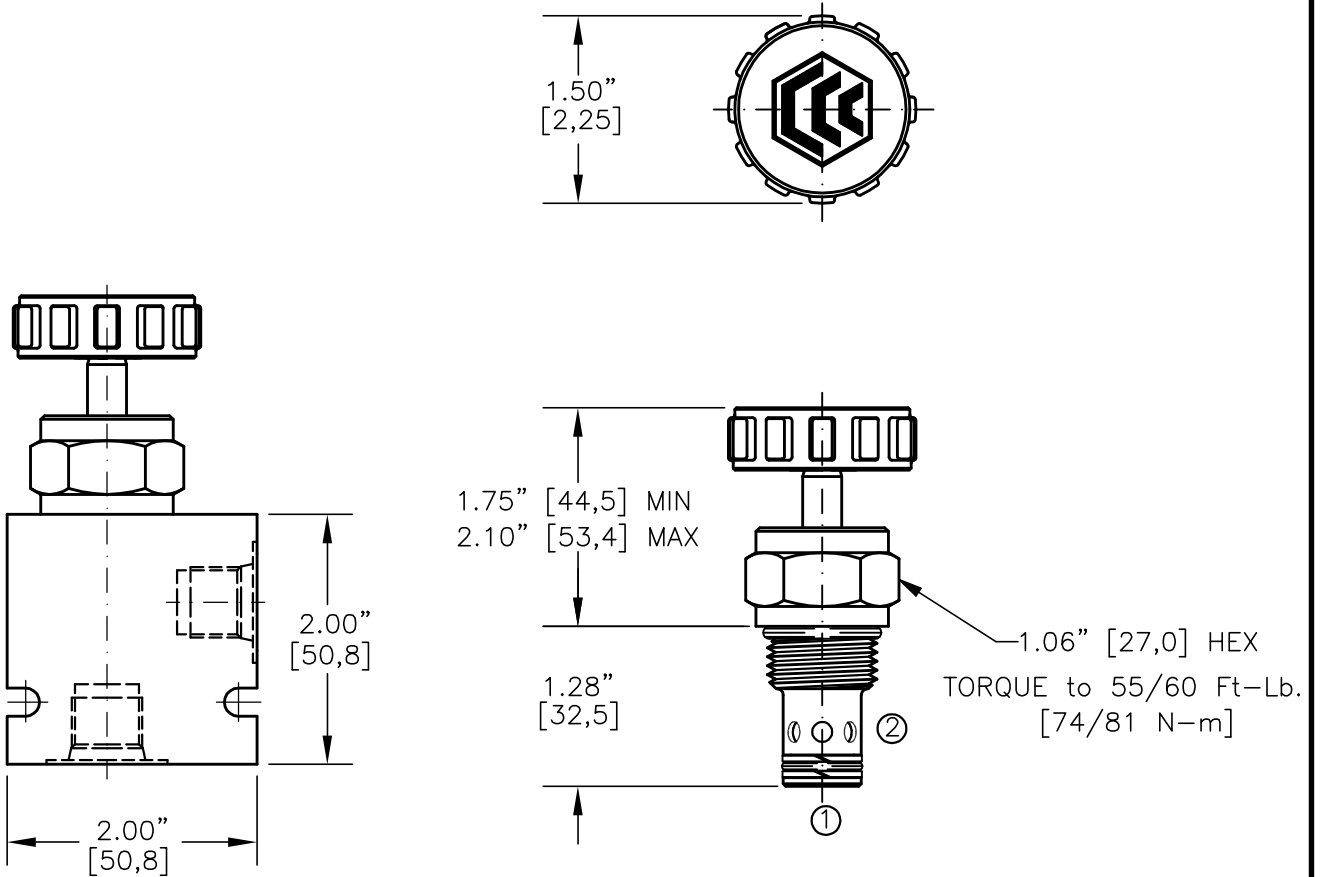
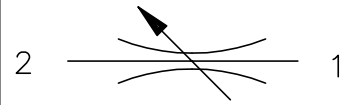
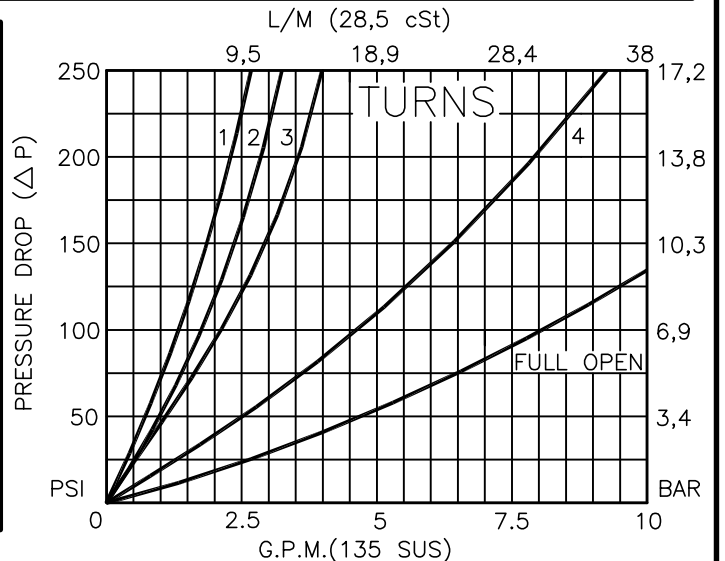
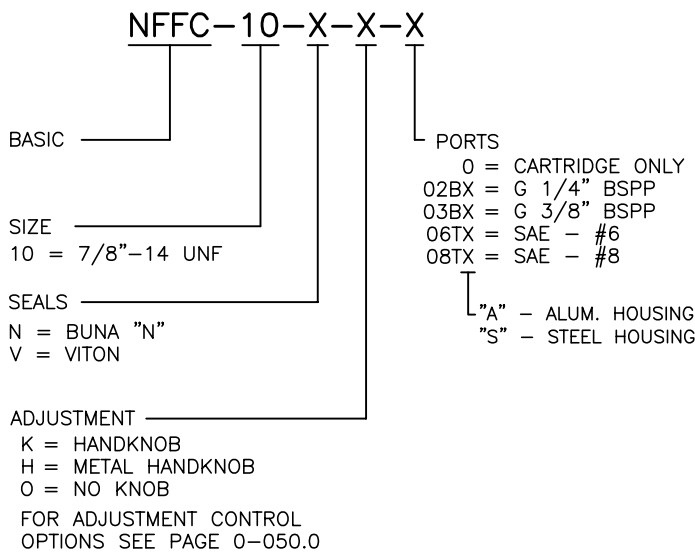




# NEEDLE VALVE BI-DIRECTIONAL, POSITIVE SHUT-OFF, FINE ADJUSTMENT



FOR ALUMINUM OR STEEL VALVE HOUSING CONFIGURATIONS SEE PAGE 0-012.1





## NEEDLE VALVE BI-DIRECTIONAL POSITIVE SHUT-OFF, FINE ADJUSTMENT

### DESCRIPTION

This unit is a SCREW IN, cartridge type, non-compensated, adjustable, bi-directional fine adjustment needle flow control valve.

### OPERATIONS

This valve increases its orifice value from fully closed to fully open in 4 1/2 turns with counterclockwise rotation.

Positive shut-off.

### FEATURES AND BENEFITS

Fine and low effort leakproof adjustment.  
Effective adjustment is precisely controlled to 4 1/2 turns.  
All external carbon steel parts are plated for longer life against the elements.  
All cartridge valves are 100% functionally tested.  
Industry common cavity.

### SPECIFICATIONS

OPERATING PRESSURE: 5,000 PSI [350 Bar]  
PROOF PRESSURE: 10,000 PSI [700 Bar]  
FLOW: 8.0 GPM [30 l/m] nominal. See performance chart.  
INTERNAL LEAKAGE: ZERO drops per minute maximum @ 5,000 PSI (350 Bar)  
VALVE HOUSINGS: 2500 PSI [175 Bar] = Aluminum - Anodized.  
5000 PSI [350 Bar] = Steel - Unplated.  
OPERATING TEMPERATURE: -40° to +250° F. [-40° to +120° C.]  
OPERATING MEDIA: All general purpose hydraulic fluids such as  
MIL-H-5606, SAE-#10, SAE-#20, etc.  
INSTALLATION: No restrictions.  
SEAL KIT: SKN-1022 Buna "N".  
SKV-1022 Viton.  
WEIGHT: .31 lb [.14 kg] cartridge only.  
VALVE CAVITY: #C1020, See Page 0-012.0.