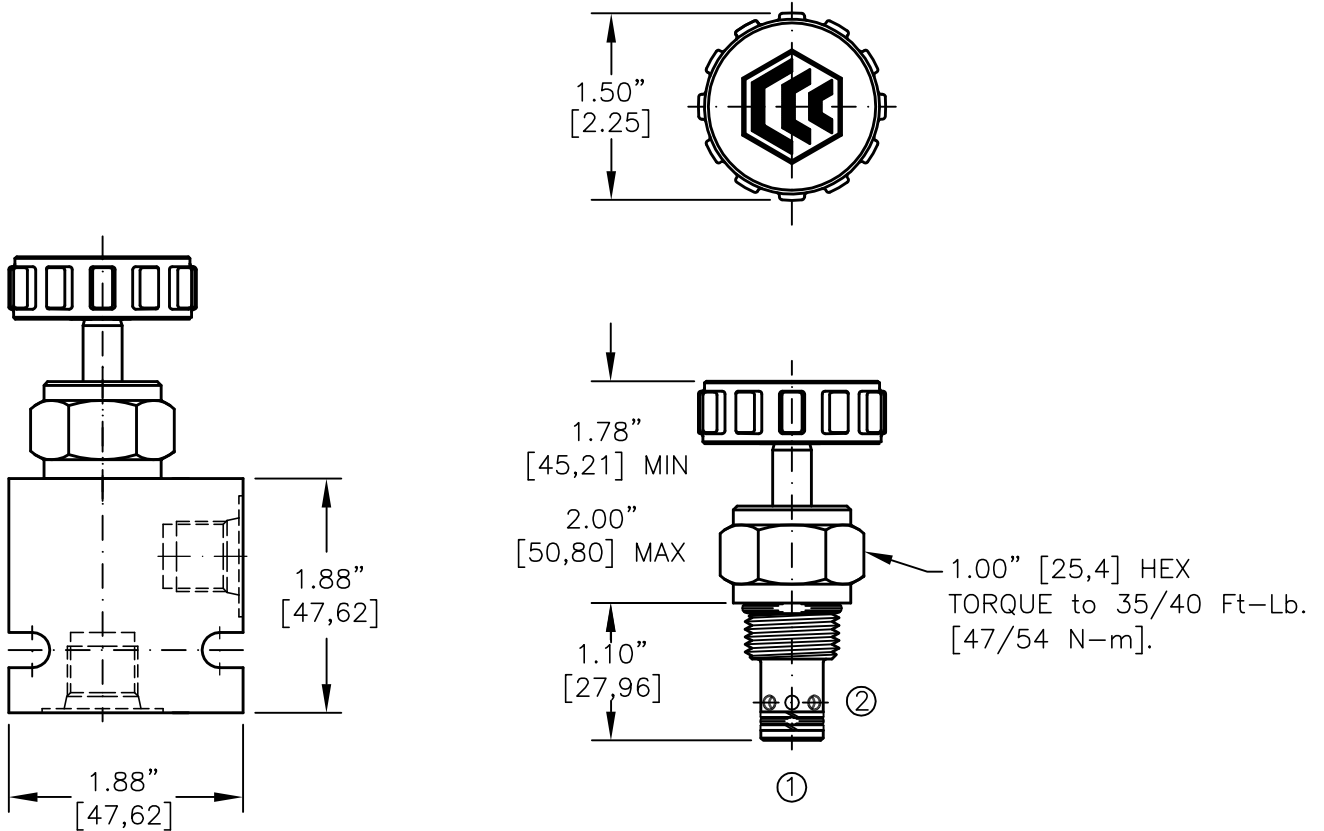
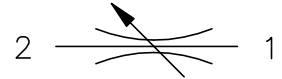
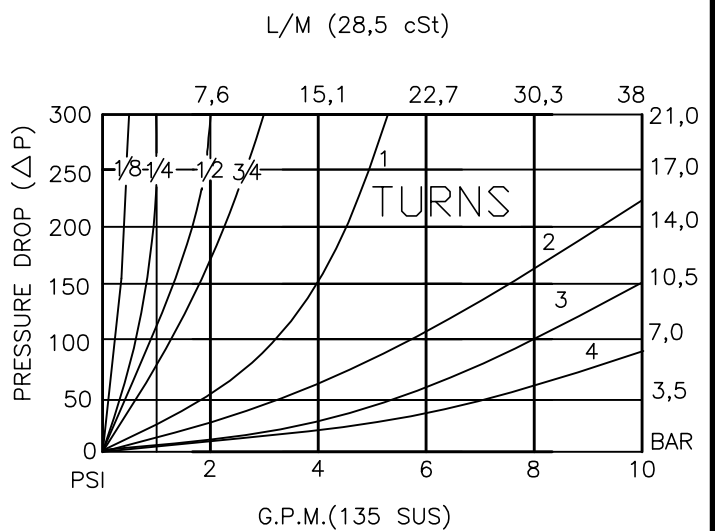
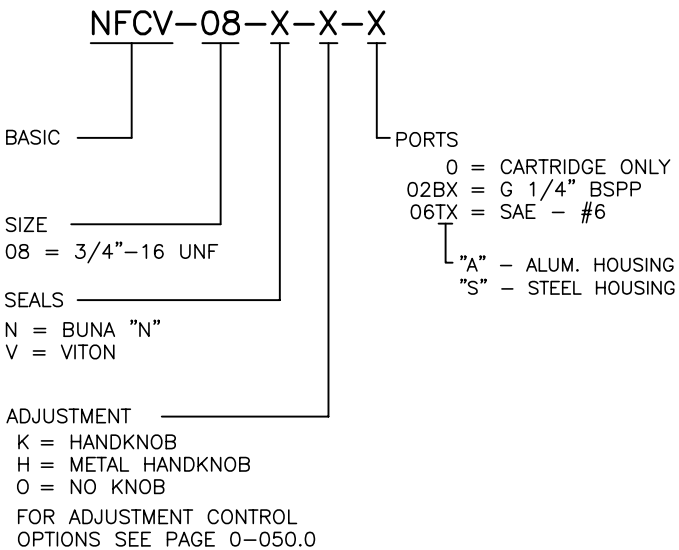




NEEDLE VALVE BI-DIRECTIONAL, POSITIVE SHUT-OFF



FOR ALUMINUM OR STEEL VALVE HOUSING CONFIGURATIONS SEE PAGE 0-011.1





NEEDLE VALVE BI-DIRECTIONAL, POSITIVE SHUT-OFF

DESCRIPTION

This unit is a SCREW IN, cartridge type, non-compensated, adjustable, bi-directional needle flow control valve.

OPERATIONS

This valve increases its orifice value from fully closed to fully open in 4 1/2 turns with counterclockwise rotation. Positive shut-off.

FEATURES AND BENEFITS

Fine and low effort leakproof adjustment.
Effective adjustment is linear to 4 1/2 turns.
All external carbon steel parts are plated for longer life against the elements.
All cartridge valves are 100% functionally tested.
Industry common cavity.

SPECIFICATIONS

OPERATING PRESSURE: 5,000 PSI [350 Bar]
PROOF PRESSURE: 10,000 PSI [700 Bar]
FLOW: 10.0 GPM [38 l/m] nominal. See performance chart.
INTERNAL LEAKAGE: ZERO drops per minute maximum @ 5,000 PSI (350 Bar)
VALVE HOUSINGS: 2500 PSI [175 Bar] = Aluminum - Anodized.
5000 PSI [350 Bar] = Steel - Unplated.
OPERATING TEMPERATURE: -40° to +250° F. [-40° to +120° C.]
OPERATING MEDIA: All general purpose hydraulic fluids such as
MIL-H-5606, SAE-#10, SAE-#20, etc.
INSTALLATION: No restrictions.
SEAL KIT: SKN-0822 Buna "N".
SKV-0822 Viton.
WEIGHT: .22 lb [.10 kg] cartridge only.
VALVE CAVITY: #C0820, See Page 0-011.0.