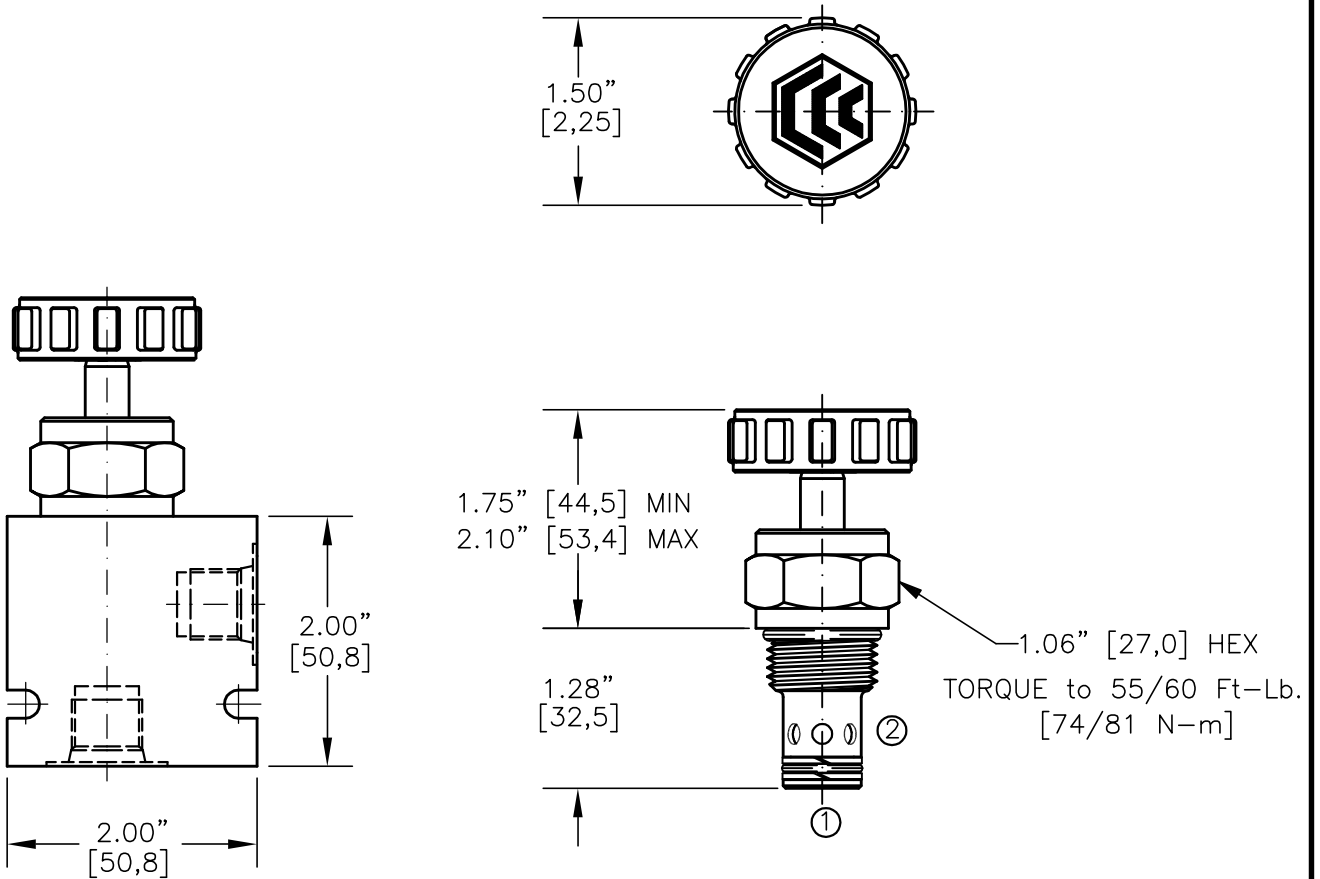
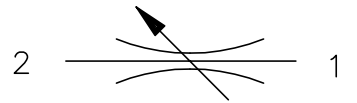




NEEDLE VALVE BI-DIRECTIONAL, POSITIVE SHUT-OFF.



FOR ALUMINUM OR STEEL VALVE HOUSING CONFIGURATIONS SEE PAGE 0-012.1

NFCV-10-X-X-X

BASIC

SIZE

10 = 7/8"-14 UNF

SEALS

N = BUNA "N"
V = VITON

ADJUSTMENT

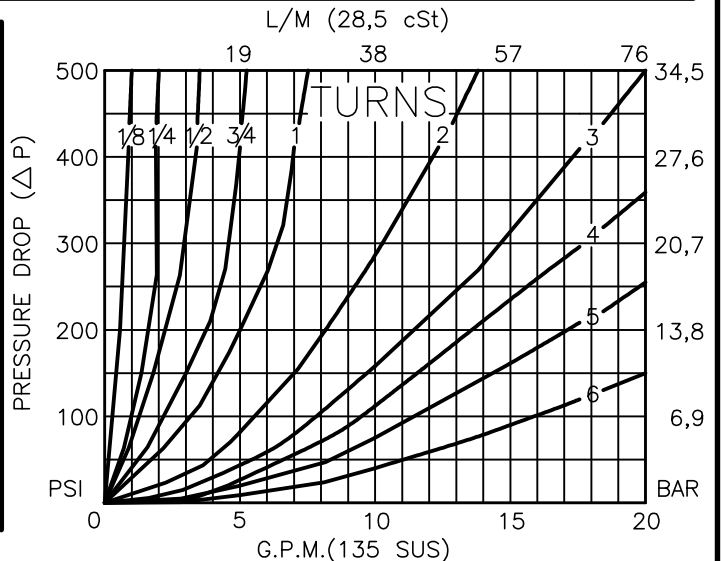
K = HANDKNOB
H = METAL HANDKNOB
O = NO KNOB

FOR ADJUSTMENT CONTROL
OPTIONS SEE PAGE 0-050.0

PORTS

0 = CARTRIDGE ONLY
02BX = G 1/4" BSPP
03BX = G 3/8" BSPP
06TX = SAE - #6
08TX = SAE - #8

"A" - ALUM. HOUSING
"S" - STEEL HOUSING





NEEDLE VALVE BI-DIRECTIONAL, POSITIVE SHUT-OFF.

DESCRIPTION

This unit is a SCREW IN, cartridge type, non-compensated, adjustable, bi-directional needle flow control valve.

OPERATIONS

This valve increases its orifice value from fully closed to fully open in 7 turns with counterclockwise rotation.

Positive shut-off.

FEATURES AND BENEFITS

Fine and low effort leakproof adjustment.
Effective adjustment is linear to seven turns.
All external carbon steel parts are plated for longer life against the elements.
All cartridge valves are 100% functionally tested.
Industry common cavity.

SPECIFICATIONS

OPERATING PRESSURE: 5,000 PSI [350 Bar]
PROOF PRESSURE: 10,000 PSI [700 Bar]
FLOW: 18.0 GPM [68 l/m] nominal. See performance chart.
INTERNAL LEAKAGE: ZERO drops per minute maximum @ 5,000 PSI (350 Bar)
VALVE HOUSINGS: 2500 PSI [175 Bar] = Aluminum - Anodized.
5000 PSI [350 Bar] = Steel - Unplated.
OPERATING TEMPERATURE: -40° to +250° F. [-40° to +120° C.]
OPERATING MEDIA: All general purpose hydraulic fluids such as
MIL-H-5606, SAE-#10, SAE-#20, etc.
INSTALLATION: No restrictions.
SEAL KIT: SKN-1022 Buna "N".
SKV-1022 Viton.
WEIGHT: .31 lb [.14 kg] cartridge only.
VALVE CAVITY: #C1020, See Page 0-012.0.