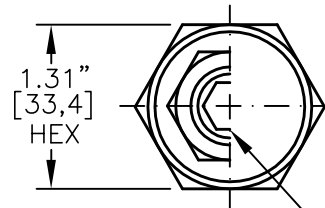
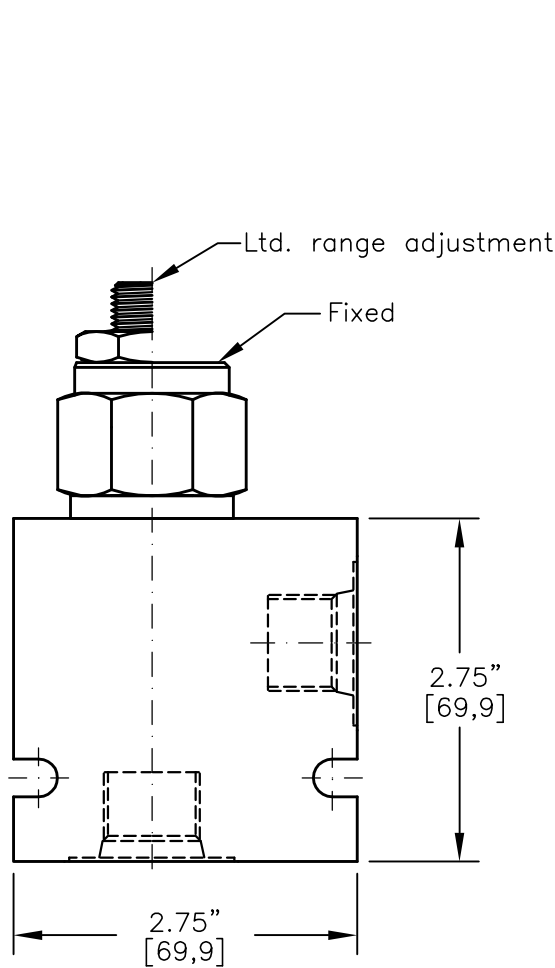
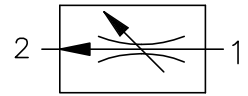
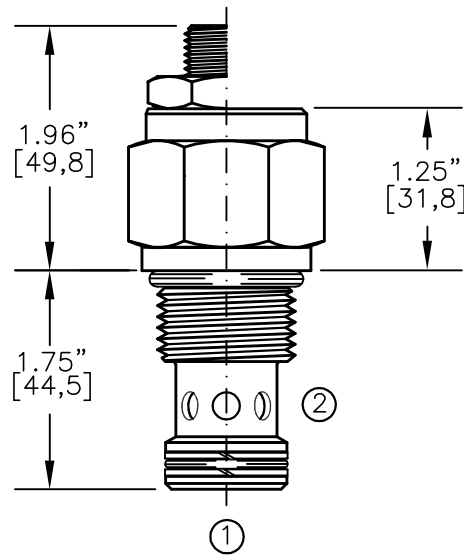




FLOW CONTROL VALVE PRESSURE COMPENSATED, FIXED ORIFICE, RESTRICTIVE TYPE.



.315" [8,0] HEX. TORQUE to 70/75 Ft-Lb. [95/100 N-m]



FOR ALUMINUM OR STEEL VALVE HOUSING CONFIGURATIONS SEE PAGE 0-013.1

PCFC-12-X-X-X-XX

BASIC

SIZE

12 = 1.062"-12UNF

SEALS

N = BUNA "N"

V = VITON

ADJUSTMENT

F = FIXED (FACTORY SET)

S = ADJUSTING SCREW

C = CAPPED

T = TAMPERPROOF

REGULATED FLOW

TO BE SPECIFIED

EXAMPLE

1.5=1.5 GPM (5,7l/m)

PORTS

0 = CARTRIDGE ONLY

04BX = G 1/2" BSPP

06BX = G 3/4" BSPP

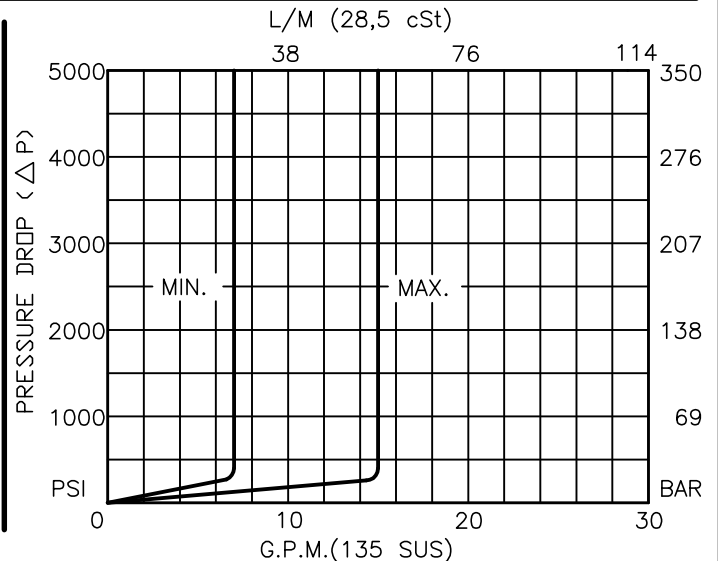
10TX = SAE - #10

12TX = SAE - #12

"A" - ALUM. HOUSING

"S" - STEEL HOUSING

FOR ADJUSTMENT CONTROL OPTIONS SEE PAGE 0-050.0





**FLOW CONTROL VALVE PRESSURE COMPENSATED,
FIXED ORIFICE, RESTRICTIVE TYPE.**

DESCRIPTION – FIXED

This unit is a SCREW IN, cartridge type, pressure compensated, fixed orifice, restrictive hydraulic flow control valve.

FLOW RANGE: 0.2 TO 16.0 GPM [0,8 TO 60,0 L\M]

DESCRIPTION – ADJUSTABLE

This unit is a SCREW IN, cartridge type, pressure compensated, fixed orifice, 30% flow adjustment, restrictive hydraulic flow control valve.

FLOW RANGE: 0.2 TO 24.0 GPM [0,8 TO 90,0 L\M]

Flow adjustment under pressure is difficult.

OPERATIONS

Valve maintains constant flow from port 1 to 2 regardless of system pressure or load and non-compensated flow from port 2 to 1 and goes thru the control orifice.

FEATURES AND BENEFITS

Valve is available with a screw, tamperproof, capped or knob adjustment. All external carbon steel parts are plated for longer life against the elements. All cartridge valves are 100% functionally tested. Industry common cavity.

SPECIFICATIONS

OPERATING PRESSURE: 5,000 PSI (350 Bar)

PROOF PRESSURE: 10,000 PSI (700 Bar)

FLOW: 0.2 to 24.0 GPM [0,8 to 90,0 l/m] nominal. See performance chart.

FLOW ACCURACY:

0.2 to 3.0 GPM [0,9 to 12,0 L\M] = +\ - 10.0%

3.0 to 8.0 GPM [12,0 to 30,0 L\M] = +\ - 7.5%

8.0 to 24.0 GPM [30,0 to 90,0 L\M] = +\ - 5.0%

VALVE HOUSINGS: 2500 PSI [175 Bar] = Aluminum - Anodized.

5000 PSI [350 Bar] = Steel - Unplated.

OPERATING TEMPERATURE: -40° to +250° F. [-40° to +120° C.]

OPERATING MEDIA: All general purpose hydraulic fluids such as MIL-H-5606, SAE-#10, SAE-#20, etc.

INSTALLATION: No restrictions.

SEAL KIT: SKN-1222 Buna "N".

SKV-1222 Viton.

WEIGHT: .38 lb [.17 kg] cartridge only.

VALVE CAVITY: #C1220, See Page 0-013.0.