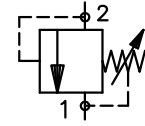
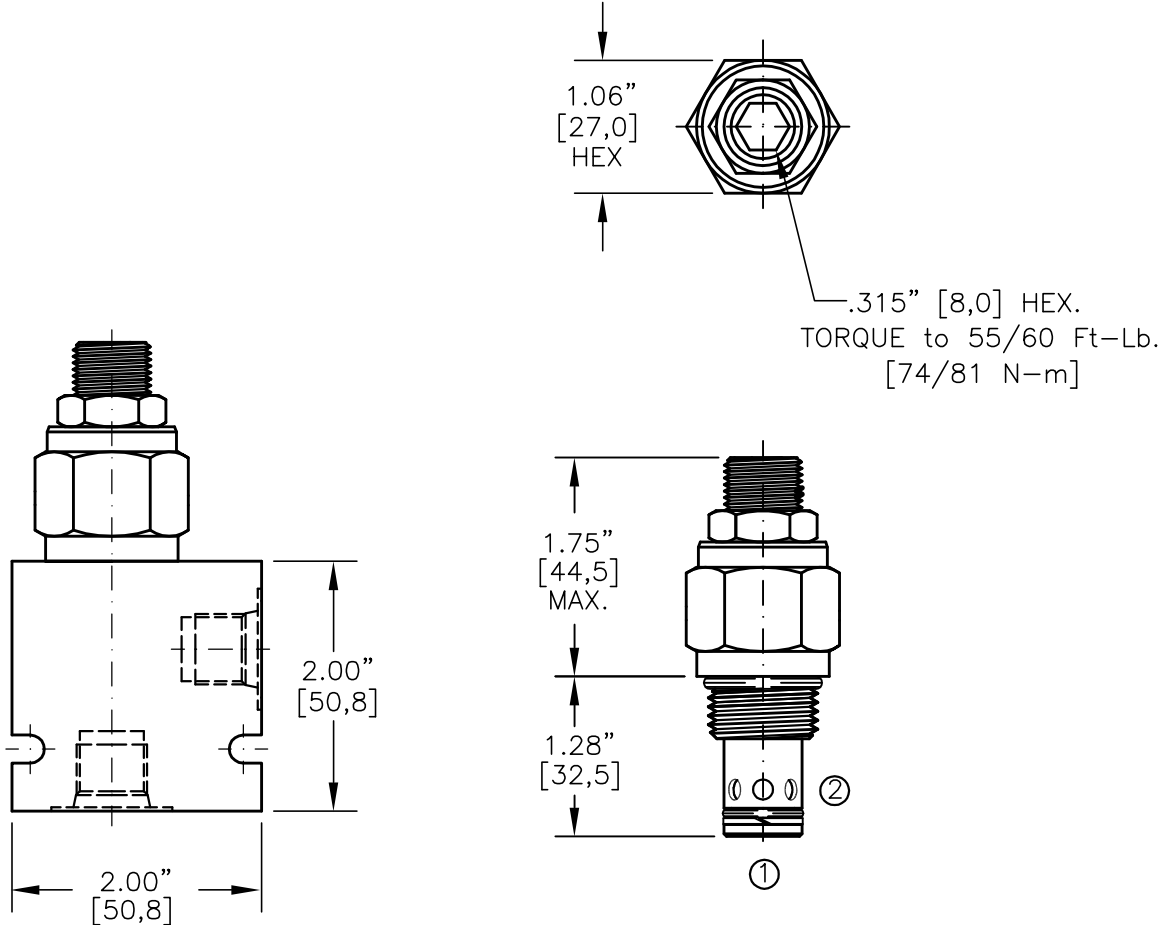




RELIEF VALVE DIFFERENTIAL AREA, POPPET TYPE



Pat.#5,546,980



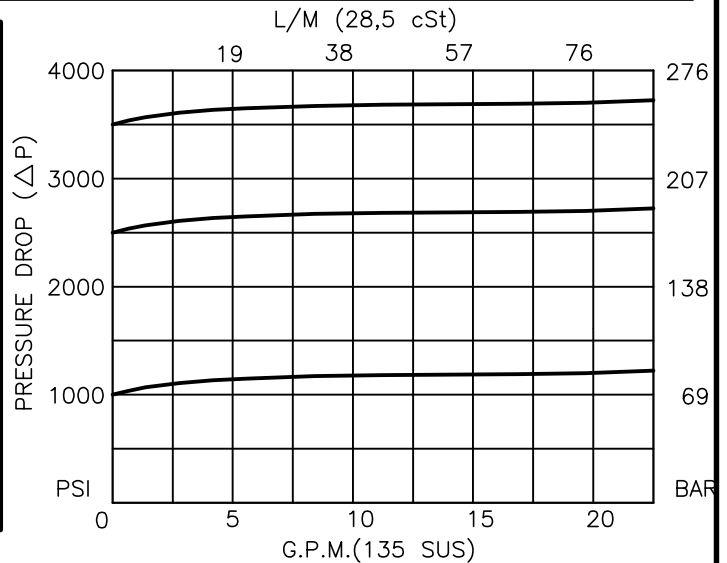
FOR ALUMINUM OR STEEL VALVE HOUSING CONFIGURATIONS SEE PAGE 0-012.1

RVDA-10-N-S-0-XX

- BASIC
- SIZE
10 = 7/8"-14 UNF
- SEALS
N = BUNA "N"
V = VITON
- ADJUSTMENT
S = ADJUSTING SCREW
C = CAPPED
T = TAMPERPROOF
K = HANDKNOB
M = METAL HANDKNOB

- PRESSURE RANGE
15 = 100 TO 1500 PSI
30 = 300 TO 3000 PSI
50 = 500 TO 5000 PSI
- PORTS
0 = CARTRIDGE ONLY
02BX = G 1/4" BSPP
03BX = G 3/8" BSPP
06TX = SAE - #6
08TX = SAE - #8
- "A" - ALUM. HOUSING
"S" - STEEL HOUSING

FOR ADJUSTMENT CONTROL
OPTIONS SEE PAGE 0-050.0





RELIEF VALVE DIFFERENTIAL AREA, POPPET TYPE

DESCRIPTION

This unit is a DIFFERENTIAL AREA RELIEF VALVE, cartridge type, direct acting, poppet type, low leakage, screw in type, adjustable, pressure control valve.

OPERATIONS

This valve (RVDA) blocks flow from port #2 to port #1 until sufficient pressure is present at port #2 to force the poppet from its seat thus opening the valve.

This cartridge relief valve offers a smooth transition in response to a load change in a hydraulic circuit.

FEATURES AND BENEFITS

Leakproof screw adjustment.

Adjustment screw can not be backed out of valve.

Overset protection – spring can not go solid.

Hardened precision fitted poppet & cage provides reliable, long life.

All external carbon steel parts are plated for longer life against the elements.

Valve is available with screw, tamperproof, capped and handknob adjustments.

All cartridge valves are 100% functionally tested.

Industry common cavity.

SPECIFICATIONS

OPERATING PRESSURE: 5,000 PSI [350 Bar]

PROOF PRESSURE: 10,000 PSI [700 Bar]

FLOW: 20.0 GPM [76 L/M] nominal. See performance chart.

INTERNAL LEAKAGE: 5 drops/min [.25 cc/m] @ 85% of crack pressure.

DEFINITION OF CRACK: evident at 0.06 GPM [0.25 LPM]

VALVE HOUSINGS: 2500 PSI [175 Bar] = Aluminum – Anodized.

5000 PSI [350 Bar] = Steel – Unplated.

OPERATING TEMPERATURE: -40° to +250° F. [-40° to +120° C.]

OPERATING MEDIA: All general purpose hydraulic fluids such as MIL-H-5606, SAE-#10, SAE-#20, etc.

INSTALLATION: No restriction.

FILTRATION: 25 microns or better.

SEAL KIT NUMBER: SKN-1021 for Buna "N".

SKV-1021 for Viton.

WEIGHT: 0.38 lb [.17 kg] cartridge only.

VALVE CAVITY: #C1020, See Page 0-012.0.