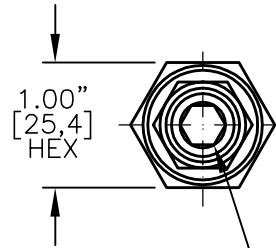
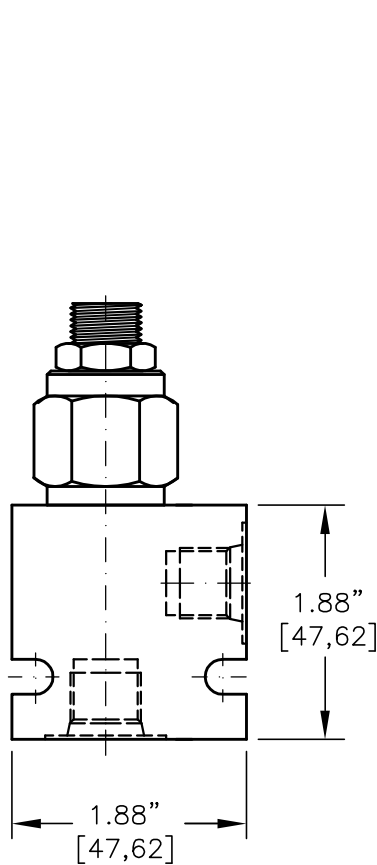
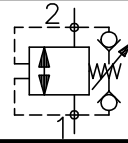
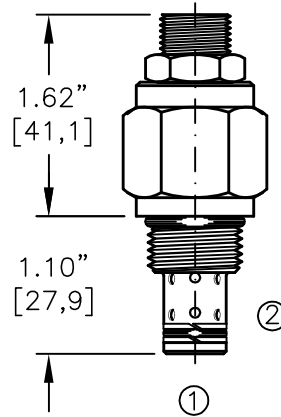




# RELIEF VALVE POPPET TYPE, BI-DIRECTIONAL (CROSS-OVER)



.315" [8.0] HEX.  
TORQUE to 35/40 Ft-Lb.  
[47/54 N-m].



FOR ALUMINUM OR STEEL VALVE HOUSING CONFIGURATIONS SEE PAGE 0-011.1

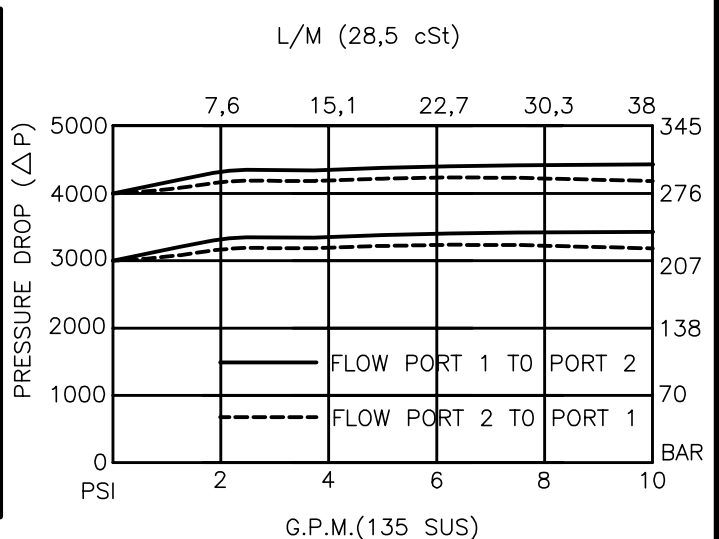
## RVBD-08-X-X-X-XX

- BASIC
- SIZE  
08 = 3/4"-16 UNF
- SEALS  
N = BUNA "N"  
V = VITON
- ADJUSTMENT  
S = ADJUSTING SCREW  
C = CAPPED  
T = TAMPERPROOF  
K = HANDKNOB  
M = METAL HANDKNOB

- PRESSURE RANGE  
15 = 100 TO 1500 PSI  
30 = 750 TO 3000 PSI  
50 = 1500 TO 5000 PSI

- PORTS  
0 = CARTRIDGE ONLY  
02BX = G 1/4" BSPP  
06TX = SAE - #6  
"A" - ALUM. HOUSING  
"S" - STEEL HOUSING

FOR ADJUSTMENT CONTROL  
OPTIONS SEE PAGE 0-050.0





## RELIEF VALVE POPPET TYPE, BI-DIRECTIONAL (CROSS-OVER)

### DESCRIPTION

This unit is a DIFFERENTIAL AREA, POPPET TYPE, BI-DIRECTIONAL, ADJUSTABLE, HYDRAULIC PRESSURE RELIEF, cartridge valve.

### OPERATIONS

This valve relieves from port 1 to port 2 and port 2 to port 1. This valve provides a fast response, rugged, dirt tolerant operation and has a good pressure vs. flow characteristics.

### FEATURES AND BENEFITS

Leakproof screw adjustment is standard.  
Adjustment screw can not be backed out of the valve.  
Overset protection – spring can not go solid.  
Hardened precision fitted poppet & cage provides reliable, long life.  
A unibody cage construction provides very low hysteresis, dependable and reliable operation.  
All external carbon steel parts are plated for longer life against the elements.  
Valve is available with screw, tamperproof, capped and handknob adjustments.  
All cartridge valves are 100% functionally tested.  
Industry common cavity.

### SPECIFICATIONS

OPERATING PRESSURE: 5,000 PSI [350 Bar]  
PROOF PRESSURE: 10,000 PSI [700 Bar]  
FLOW: 10.0 GPM [38 L/M] nominal. See performance chart.  
INTERNAL LEAKAGE: 5 cu.in/min [85 cc/m] @ 80% of crack pressure.  
DEFINITION OF CRACK: evident at 0.06 GPM [0.25 LPM]  
VALVE HOUSINGS: 2500 PSI [175 Bar] = Aluminum – Anodized.  
5000 PSI [350 Bar] = Steel – Unplated.  
OPERATING TEMPERATURE: -40° to +250° F. [-40° to +120° C.]  
OPERATING MEDIA: All general purpose hydraulic fluids such as MIL-H-5606, SAE-#10, SAE-#20, etc.  
INSTALLATION: No restriction.  
FILTRATION: 25 microns or better.  
SEAL KIT NUMBER: SKN-0822 for Buna "N".  
SKV-0822 for Viton.  
WEIGHT: 0.26 lb [.12 kg] cartridge only.  
VALVE CAVITY: #C0820, See Page 0-011.0.