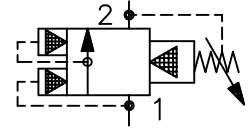
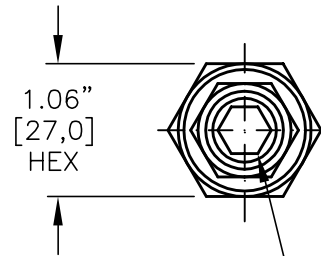
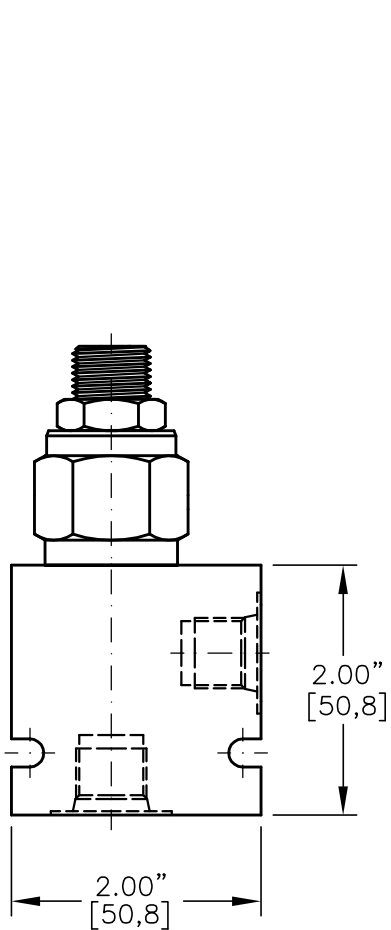




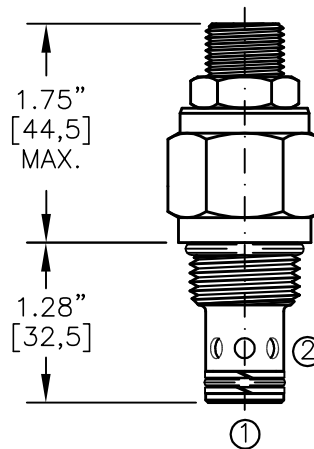
BREAKER RELIEF VALVE PILOT OPERATED, SLIDING SPOOL, KICK-DOWN VALVE.



Pat.#5,546,980



.315" [8,0] HEX. TORQUE to 55/60 Ft-Lb. [74/81 N-m]

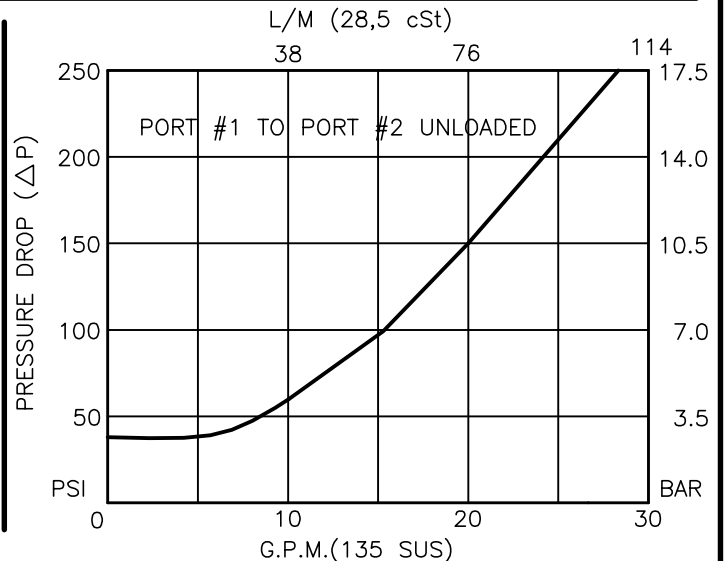


FOR ALUMINUM OR STEEL VALVE HOUSING CONFIGURATIONS SEE PAGE 0-012.1

RVBS-10-X-X-X-XX

- BASIC
- SIZE
 - 10 = 7/8"-14 UNF
- SEALS
 - N = BUNA "N"
 - V = VITON
- ADJUSTMENT
 - S = ADJUSTING SCREW
 - C = CAPPED
 - T = TAMPERPROOF
 - K = HANDKNOB
 - M = METAL HANDKNOB
- PRESSURE RANGE
 - 15 = 50 TO 1500 PSI
 - 30 = 50 TO 3000 PSI
 - 50 = 50 TO 5000 PSI
- PORTS
 - 0 = CARTRIDGE ONLY
 - 02BX = G 1/4" BSPP
 - 03BX = G 3/8" BSPP
 - 06TX = SAE - #6
 - 08TX = SAE - #8
 - "A" - ALUM. HOUSING
 - "S" - STEEL HOUSING

FOR ADJUSTMENT CONTROL OPTIONS SEE PAGE 0-050.0



**BREAKER RELIEF VALVE****PILOT OPERATED, SLIDING SPOOL, KICK-DOWN VALVE.****DESCRIPTION**

This unit is a PILOT OPERATED, SLIDING SPOOL, PRESSURE BREAKER RELIEF VALVE, cartridge style, screw in type valve.

OPERATIONS

This valve (RVBS) blocks flow from port #1 to port #2 until sufficient pressure is present at port #1 to force the pilot poppet from its seat thus opening the valve and unloads the system to a low pressure. Acts as a circuit breaker in a hydraulic system. After the flow and pressure is removed from the valve the valve will re-set itself to the original pressure setting.

FEATURES AND BENEFITS

Leakproof screw adjustment.
Pressure in tank port (2) will add to the bias spring setting, and is limited to 2000 PSI.
Adjustment screw can not be backed out of the valve.
Overset protection – pilot spring can not go solid.
Hardened precision fitted spool & cage provides reliable, long life.
A unique self aligning (floating) cage provides very low hysteresis and reliable operation.
All external carbon steel parts are plated for longer life against the elements.
Valve is available with screw, tamperproof, capped and handknob adjustments.
All cartridge valves are 100% functionally tested.
Industry common cavity.

SPECIFICATIONS

OPERATING PRESSURE: 5,000 PSI [350 Bar]
PROOF PRESSURE: 10,000 PSI [700 Bar]
FLOW: 25.0 GPM [95 L/M] nominal. See performance chart.
INTERNAL LEAKAGE: 5 cu.in/min [85 cc/m] @ 95% of crack pressure.
DEFINITION OF CRACK: evident at 0.06 GPM [0.25 LPM]
VALVE HOUSINGS: 2500 PSI [175 Bar] = Aluminum – Anodized.
5000 PSI [350 Bar] = Steel – Unplated.
OPERATING TEMPERATURE: -40° to +250° F. [-40° to +120° C.]
OPERATING MEDIA: All general purpose hydraulic fluids such as MIL-H-5606, SAE-#10, SAE-#20, etc.
INSTALLATION: No restriction.
FILTRATION: 25 microns or better.
SEAL KIT NUMBER: SKN-1022 for Buna "N".
SKV-1022 for Viton.
WEIGHT: 0.38 lb [.17 kg] cartridge only.
VALVE CAVITY: #C1020, See Page 0-012.0.