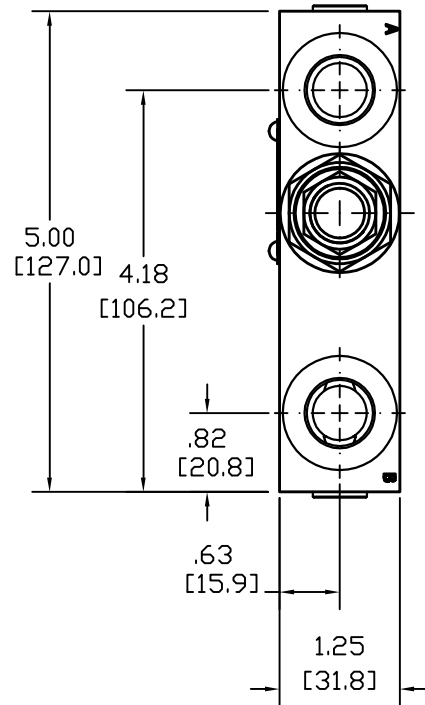
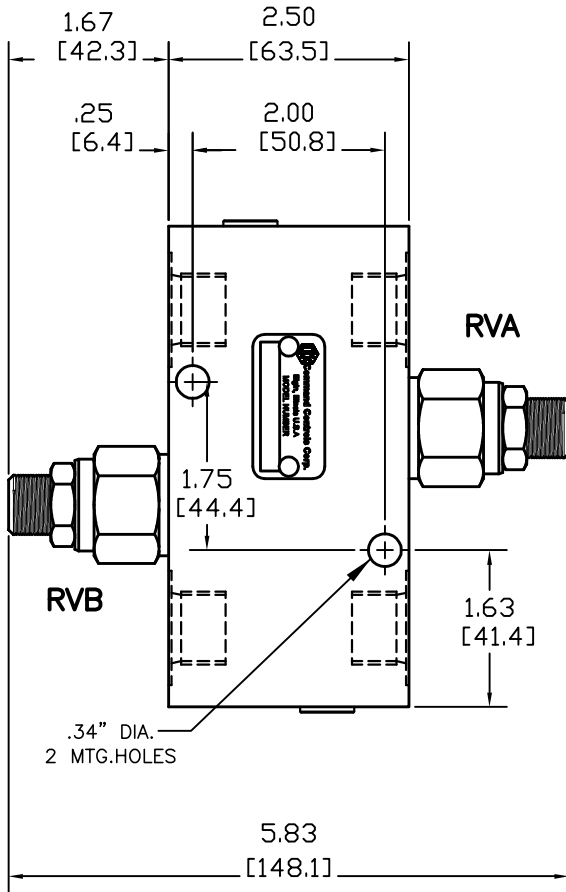
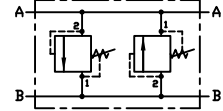




CROSS PORT RELIEF VALVE, DIRECT ACTING
DIFFERENTIAL AREA, POPPET TYPE



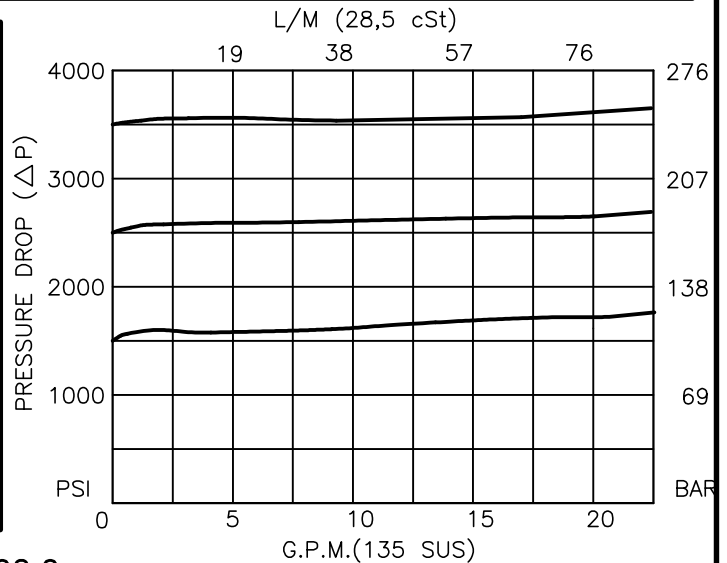
CPRV-10-X-X-0-RVA RVB RVA RVB
XX-XX/XXX/XXX

- BASIC
- SIZE
10 = 7/8"-14 UNF
- SEALS
N = BUNA "N"
V = VITON
- ADJUSTMENT
S = ADJUSTING SCREW
C = CAPPED
T = TAMPERPROOF
K = HANDKNOB
M = METAL HANDKNOB

- OPTIONAL PRESSURE SETTING (PRESSURE/100)
Ex.: 42.5 = 4250 PSI
- PRESSURE RANGE
15 = 100 TO 1500 PSI
30 = 300 TO 3000 PSI
50 = 500 TO 5000 PSI

- PORTS
08TX = SAE - #8
- "A" - ALUM. HOUSING
"S" - STEEL HOUSING

FOR ADJUSTMENT CONTROL
OPTIONS SEE PAGE 0-050.0





CROSS PORT RELIEF VALVE, DIRECT ACTING, POPPET TYPE

DESCRIPTION

This unit consists of two RVDA cartridges in an inline housing. The cartridges are differential area, poppet type, bi-directional, adjustable, hydraulic pressure relief valves.

OPERATIONS

This manifold (CPRV) allows flow with minimal pressure drop through normally separated A and B thru ports. If pressure in either port exceeds its valve setting, flow will cross over to the other port.

FEATURES AND BENEFITS

Leakproof screw adjustment.
Adjustment screw can not be backed out of valve.
Overset protection – spring can not go solid.
Hardened precision fitted poppet & cage provides reliable, long life.
All external carbon steel parts are plated for longer life against the elements.
Valve is available with screw, tamperproof, capped and handknob adjustments.
All cartridge valves are 100% functionally tested.
Industry common cavity.

SPECIFICATIONS

OPERATING PRESSURE: 5,000 PSI [350 Bar]
PROOF PRESSURE: 10,000 PSI [700 Bar]
FLOW: 20.0 GPM [76 L/M] nominal. See performance chart.
INTERNAL LEAKAGE: 5 drops/min [.25 cc/m] @ 85% of crack pressure.
DEFINITION OF CRACK: evident at 0.06 GPM [0.25 LPM]
VALVE HOUSINGS: 2500 PSI [175 Bar] = Aluminum – Anodized.
5000 PSI [350 Bar] = Steel – Unplated.
OPERATING TEMPERATURE: -40° to +250° F. [-40° to +120° C.]
OPERATING MEDIA: All general purpose hydraulic fluids such as MIL-H-5606, SAE-#10, SAE-#20, etc.
INSTALLATION: No restriction.
FILTRATION: 25 microns or better.
SEAL KIT NUMBER: SKN-1021 for Buna "N".
SKV-1021 for Viton.
WEIGHT: 2.65 lbs [1,21 kg] Aluminum. 5.25 lbs [2,38 kg] Steel.
VALVE CAVITY: #C1020, See Page 0-012.0.

NOTE: A 100 PSI pressure differential must be present between the two relief valve settings. If same setting is needed, use RVBD-10 cartridge.