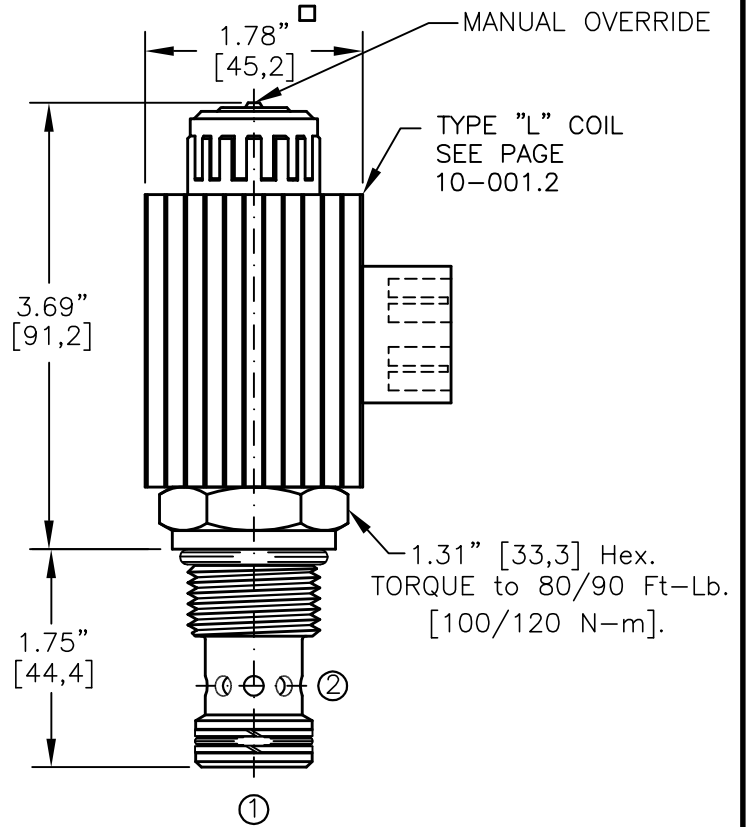
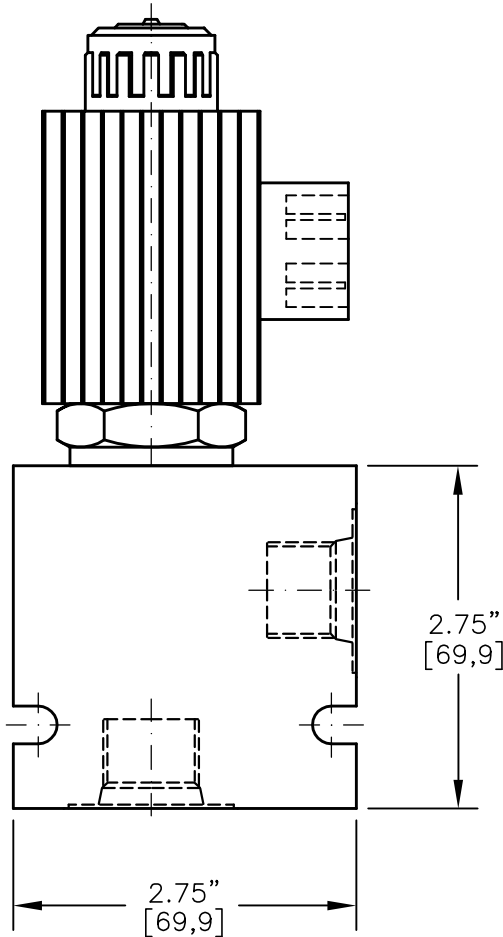
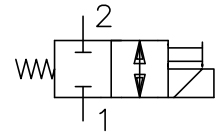




SOLENOID VALVE, NORMALLY CLOSED.  
DIRECT ACTING, SPOOL TYPE (2/2)



NOTES:

1. FOR ALUMINUM OR STEEL VALVE HOUSING CONFIGURATIONS SEE PAGE 0-013.1
2. SOLENOIDS AVAILABLE WITH DIODES - CONSULT FACTORY.
3. ALL A.C. COILS ARE INTERNALLY A.C. TO D.C. RECTIFIED.
4. FOR SOFT SHIFT SOLENOID VALVE SEE PAGE 10-002.0

EMDV-12-X-C1-X-XXX X

BASIC

SIZE

12 = 1.062"-12UNF

SEALS

N = BUNA "N"

V = VITON

TYPE

C1=NORMALLY CLOSED SPOOL  
2-WAY, 2-POSITION

PORTS

0 = CARTRIDGE ONLY  
 04BX = G 1/2" BSPP  
 06BX = G 3/4" BSPP  
 10TX = SAE - #10  
 12TX = SAE - #12

"A" = ALUM. HOUSING  
 "S" = STEEL HOUSING

TERMINALS

L=18GA. 24" LEADS

T=SPADE TERM.

B=BOLT TERM.

G=DIN43650

W=WEATHER-PACK

D=DEUTSCH-DT04-2P

M=METRI-PACK CONN.

VOLTAGE AMPS

12D = 12 VDC 3.00

24D = 24 VDC 1.50

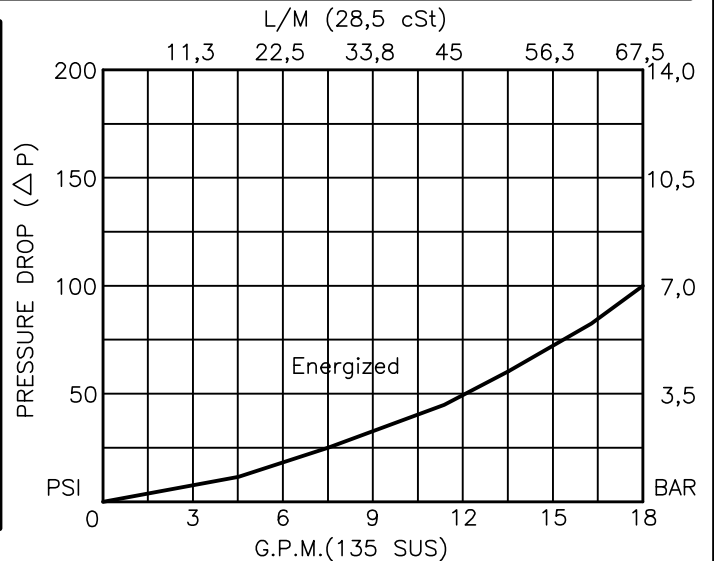
36D = 36 VDC 1.00

48D = 48 VDC 0.75

110D = 110 VDC 0.33

115A = 115 VAC 0.32

230A = 230 VAC 0.16





## SOLENOID VALVE, NORMALLY CLOSED, DIRECT ACTING, SPOOL TYPE (2/2)

### DESCRIPTION

This unit is a NORMALLY CLOSED, TWO POSITION, cartridge type, spool type, direct acting, screw in type, solenoid operated, directional control valve.

### OPERATIONS

When solenoid coil is de-energized, this valve allows no flow from ports 1 to 2 or 2 to 1.

When solenoid coil is energized, the spool in this valve is shifted and allows flow from ports 1 to 2 and 2 to 1.

Manual Operator Standard: Push in and hold a small plunger on top of the valve with a screw driver or a similar plunger smaller than .188" dia.

### FEATURES AND BENEFITS

Continuous-duty, very low heat rise & waterproof solenoid coil.

Interchangeable solenoid coils & terminations options available.

Hardened precision fitted spool & sleeve provides reliable, long life.

Very efficient, wet-armature solenoid core tube construction.

All external carbon steel parts are plated for longer life against the elements.

All cartridge valves are 100% functionally tested.

### SPECIFICATIONS

OPERATING PRESSURE: 5,000 PSI [350 Bar]

PROOF PRESSURE: 10,000 PSI [700 Bar]

FLOW: 18.0 GPM [68 l/m] See performance chart.

INTERNAL LEAKAGE: 5 cu.in/min [82 cc/m] @ 5,000 PSI [350 Bar]

VALVE HOUSINGS: 2500 PSI [175 Bar] = Aluminum - Anodized.

5000 PSI [350 Bar] = Steel - Unplated.

OPERATING TEMPERATURE: -40° to +250° F. [-40° to +120° C.]

OPERATING MEDIA: All general purpose hydraulic fluids such as

MIL-H-5606, SAE-#10, SAE-#20, etc.

RESPONSE TIME: First indication of change in pressure with 100% voltage supplied @ 80% of nominal flow rating.

\* Pull-in: 50 ms

\* Drop-Out: 50 ms

SEAL KIT: SKN-1222 Buna "N"

SKV-1222 Viton

INSTALLATION: No restrictions.

WEIGHT: 1.98 lb [.90 kg] cartridge with coil only.

VALVE CAVITY: #C1220, See Page 0-013.0.