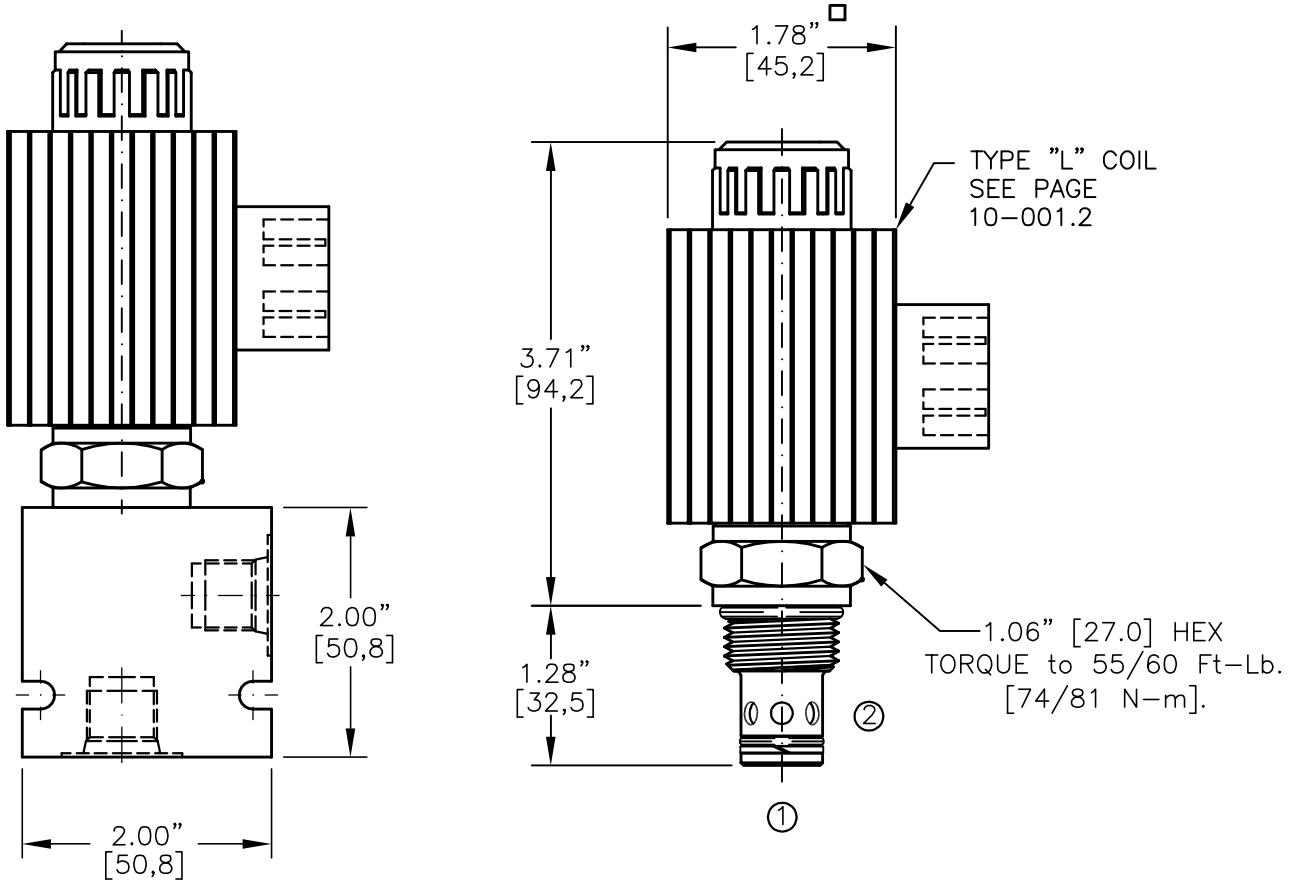
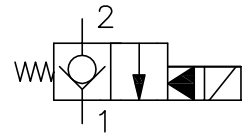




SOLENOID VALVE, NORMALLY CLOSED.
PILOT OPERATED, POPPET TYPE (2/2)

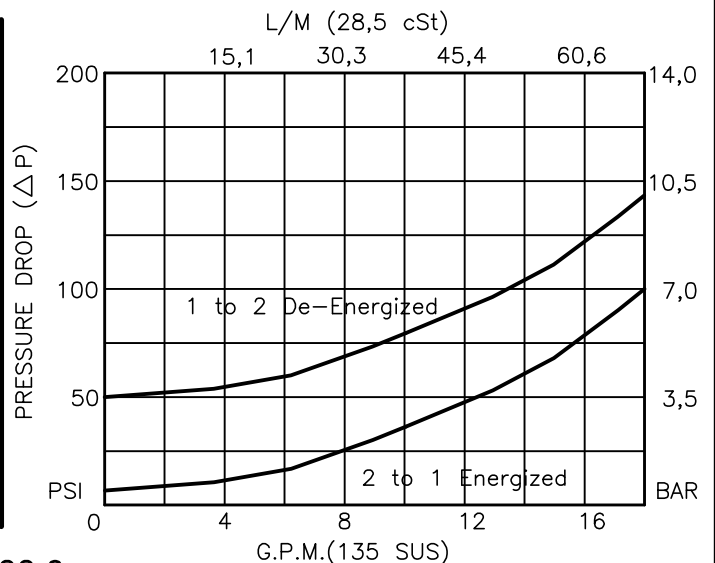


NOTES:

- 1. FOR ALUMINUM OR STEEL VALVE HOUSING CONFIGURATIONS SEE PAGE 0-012.0
- 2. SOLENOIDS AVAILABLE WITH DIODES - CONSULT FACTORY.
- 3. ALL A.C. COILS ARE INTERNALLY A.C. TO D.C. RECTIFIED.

EMDV-10-X-C2-X-XXX X

BASIC	TERMINALS
SIZE	L=18GA. 24" LEADS
10 = 7/8"-14UNF	T=SPADE TERM.
SEALS	B=BOLT TERM.
N = BUNA "N"	G=DIN43650
V = VITON	W=WEATHER-PACK
TYPE	D=DEUTSCH-DT04-2P
C2=NORMALLY CLOSED POPPET	M=METRI-PACK CONN.
2-WAY, 2-POSITION	VOLTAGE AMPS
PORTS	12D = 12 VDC 3.00
0 = CARTRIDGE ONLY	24D = 24 VDC 1.50
02BX = G 1/4" BSPP	36D = 36 VDC 1.00
03BX = G 3/8" BSPP	48D = 48 VDC 0.75
06TX = SAE - #6	110D = 110 VDC 0.33
08TX = SAE - #8	115A = 115 VAC 0.32
"A" = ALUM. HOUSING	230A = 230 VAC 0.16
"S" = STEEL HOUSING	





SOLENOID VALVE, NORMALLY CLOSED, PILOT OPERATED, POPPET TYPE (2/2)

DESCRIPTION

This unit is a NORMALLY CLOSED, TWO POSITION, cartridge type, poppet type, pilot operated, screw in type, solenoid operated, directional control valve.

OPERATIONS

When solenoid coil is de-energized, this valve allows no flow from ports 2 to 1 and free flow from ports 1 to 2. When solenoid coil is energized, the poppet in this valve is shifted and allows flow from ports 2 to 1 and restricted flow from ports 1 to 2.

FEATURES AND BENEFITS

Continuous-duty, very low heat rise & waterproof solenoid coil. Interchangeable solenoid coils & terminations options available. Hardened precision fitted poppet & sleeve provides reliable, long life. Very efficient, wet-armature solenoid core tube construction. All external carbon steel parts are plated for longer life against the elements. All cartridge valves are 100% functionally tested. Industry common cavity.

SPECIFICATIONS

OPERATING PRESSURE: 5,000 PSI [350 Bar]
PROOF PRESSURE: 10,000 PSI [700 Bar]
FLOW: 16.0 GPM [60 l/m] See performance chart.
INTERNAL LEAKAGE: 5 drops/min [0.25 cc/m] @ 5,000 PSI [350 Bar]
VALVE HOUSINGS: 2500 PSI [175 Bar] = Aluminum - Anodized.
5000 PSI [350 Bar] = Steel - Unplated.
OPERATING TEMPERATURE: -40° to +250° F. [-40° to +120° C.]
OPERATING MEDIA: All general purpose hydraulic fluids such as MIL-H-5606, SAE-#10, SAE-#20, etc.
RESPONSE TIME: First indication of change in pressure with 100% voltage supplied @ 80% of nominal flow rating.
* Pull-in: 50 ms
* Drop-Out: 50 ms
SEAL KIT: SKN-1021 Buna "N"
SKV-1021 Viton
INSTALLATION: No restrictions.
WEIGHT: 1.90 lb [0,86 kg] cartridge with coil only.
VALVE CAVITY: #C1020, See Page 0-012.0.