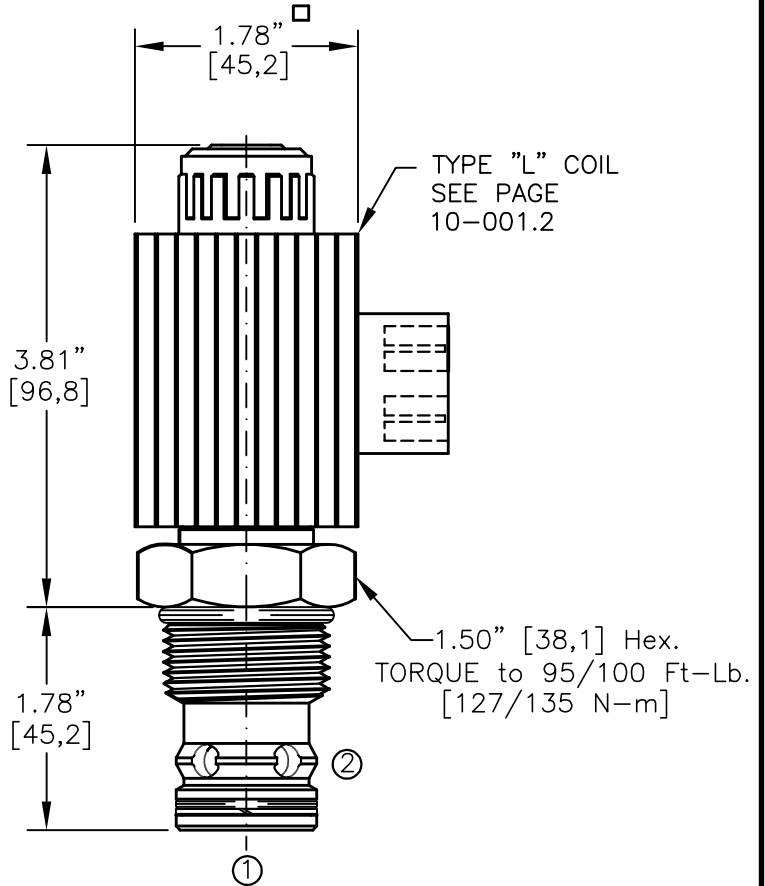
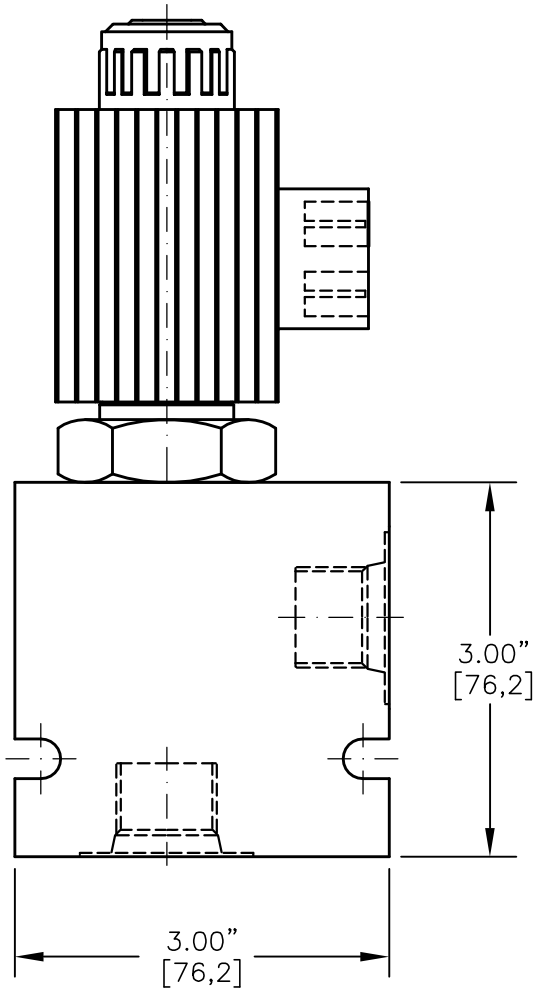
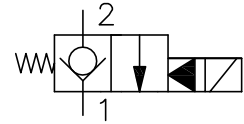




SOLENOID VALVE, NORMALLY CLOSED.  
PILOT OPERATED, POPPET TYPE (2/2)



TYPE "L" COIL  
SEE PAGE  
10-001.2

1.50" [38,1] Hex.  
TORQUE to 95/100 Ft-Lb.  
[127/135 N-m]

NOTES:

- 1. FOR ALUMINUM OR STEEL VALVE HOUSING CONFIGURATIONS SEE PAGE 0-014.1
- 2. SOLENOIDS AVAILABLE WITH DIODES - CONSULT FACTORY.
- 3. ALL A.C. COILS ARE INTERNALLY A.C. TO D.C. RECTIFIED.

EMDV-16-X-C2-X-XXX X

BASIC

SIZE  
16 = 1.312"-12UNF

SEALS

N = BUNA "N"  
V = VITON

TYPE

C2=NORMALLY CLOSED POPPET  
2-WAY, 2-POSITION

PORTS

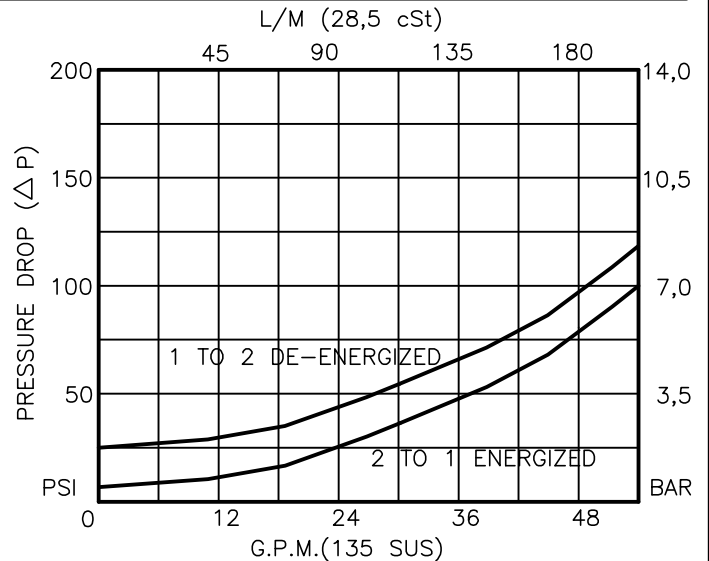
0 = CARTRIDGE ONLY  
 06BX = G 3/4" BSPP  
 08BX = G 1" BSPP  
 12TX = SAE - #12  
 16TX = SAE - #16  
 "A" = ALUM. HOUSING  
 "S" = STEEL HOUSING

TERMINALS

L=18GA. 24" LEADS  
 T=SPADE TERM.  
 B=BOLT TERM.  
 G=DIN43650  
 W=WEATHER-PACK  
 D=DEUTSCH-DT04-2P  
 M=METRI-PACK CONN.

VOLTAGE AMPS

12D = 12 VDC 3.00  
 24D = 24 VDC 1.50  
 36D = 36 VDC 1.00  
 48D = 48 VDC 0.75  
 110D = 110 VDC 0.33  
 115A = 115 VAC 0.32  
 230A = 230 VAC 0.16





## SOLENOID VALVE, NORMALLY CLOSED, PILOT OPERATED, POPPET TYPE (2/2)

### DESCRIPTION

This unit is a NORMALLY CLOSED, TWO POSITION, cartridge type, poppet type, pilot operated, screw in type, solenoid operated, directional control valve.

### OPERATIONS

When solenoid coil is de-energized, this valve allows no flow from ports 2 to 1 and free flow from ports 1 to 2. When solenoid coil is energized, the poppet in this valve is shifted and allows flow from ports 2 to 1 and restricted flow from ports 1 to 2.

### FEATURES AND BENEFITS

Continuous-duty, very low heat rise & waterproof solenoid coil. Interchangeable solenoid coils & terminations options available. Hardened precision fitted poppet & sleeve provides reliable, long life. Very efficient, wet-armature solenoid core tube construction. All external carbon steel parts are plated for longer life against the elements. All cartridge valves are 100% functionally tested. Industry common cavity.

### SPECIFICATIONS

OPERATING PRESSURE: 5,000 PSI [350 Bar]  
PROOF PRESSURE: 10,000 PSI [700 Bar]  
FLOW: 50.0 GPM [190 l/m] See performance chart.  
INTERNAL LEAKAGE: 5 drops/min [0.25 cc/m] @ 5,000 PSI (350 Bar)  
VALVE HOUSINGS: 2500 PSI [175 Bar] = Aluminum - Anodized.  
5000 PSI [350 Bar] = Steel - Unplated.  
OPERATING TEMPERATURE: -40° to +250° F. [-40° to +120° C.]  
OPERATING MEDIA: All general purpose hydraulic fluids such as MIL-H-5606, SAE-#10, SAE-#20, etc.  
RESPONSE TIME: First indication of change in pressure with 100% voltage supplied @ 80% of nominal flow rating.  
\* Pull-in: 50 ms  
\* Drop-Out: 50 ms  
SEAL KIT: SKN-1621 Buna "N"  
SKV-1621 Viton  
INSTALLATION: No restrictions.  
WEIGHT: 2.25 lb [1,20 kg] cartridge with coil only.  
VALVE CAVITY: #C1620, See Page 0-014.0.