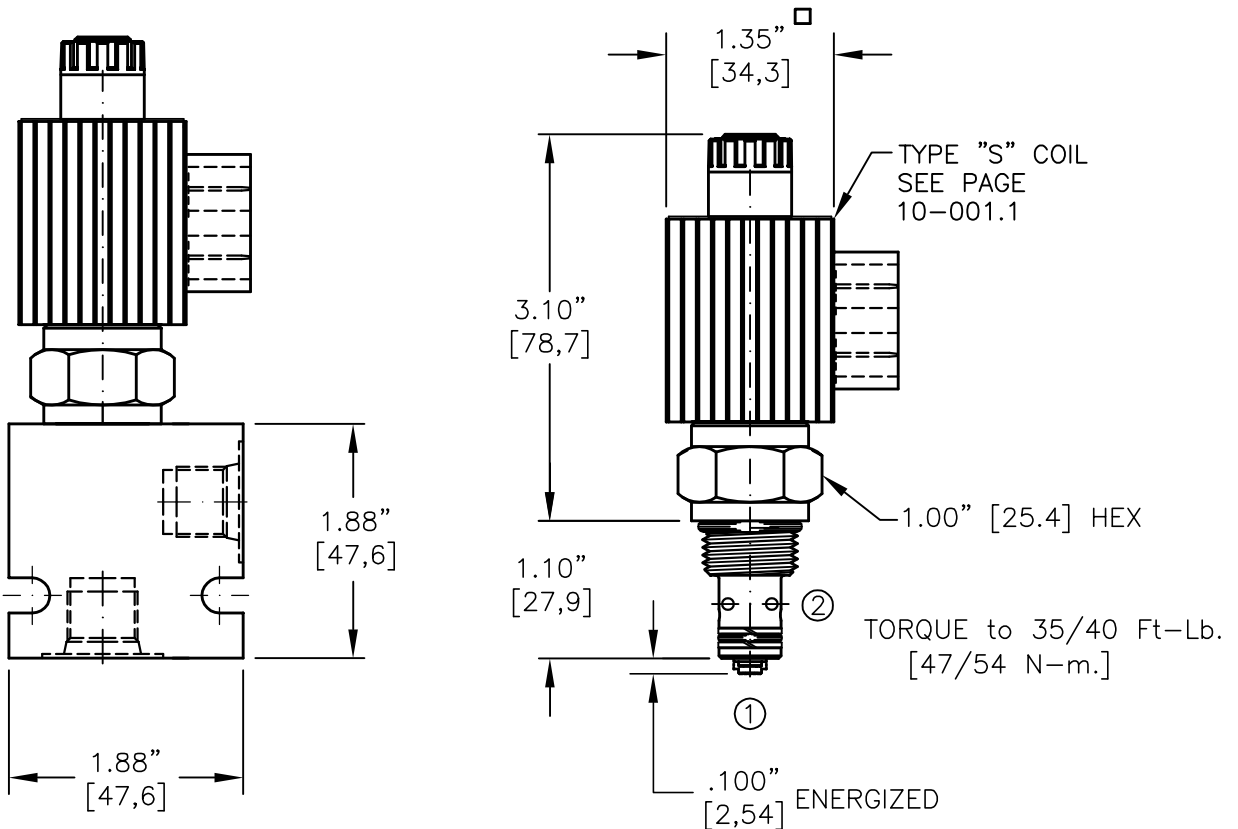
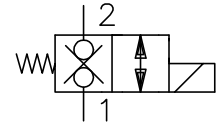




SOLENOID VALVE, NORMALLY CLOSED.
DIRECT ACTING, BALANCED POPPET (2/2)



NOTES:

- 1. FOR ALUMINUM OR STEEL VALVE HOUSING CONFIGURATIONS SEE PAGE 0-011.1
- 2. SOLENOIDS AVAILABLE WITH DIODES - CONSULT FACTORY.
- 3. FOR "AC" COILS USE RECTIFIED DIN CONNECTOR 20828.

EMDV-08-X-C3-X-XXX X

BASIC

SIZE
08 = 3/4"-16UNF

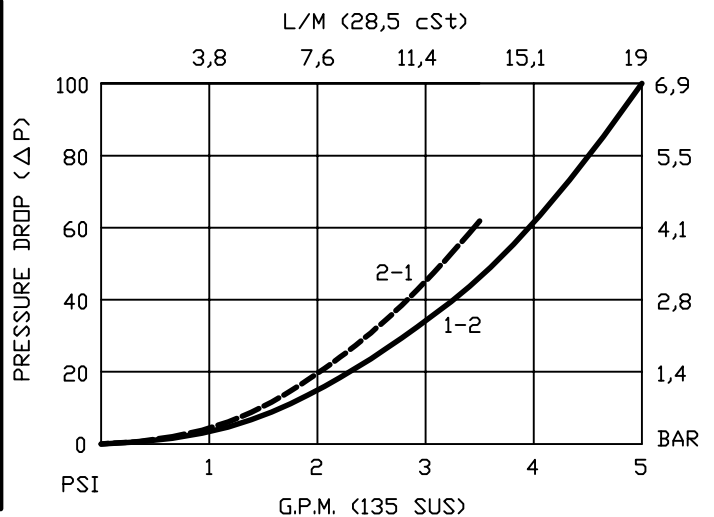
SEALS
N = BUNA "N"
V = VITON

TYPE
C3=N.C. BALANCED POPPET
2-WAY, 2-POSITION

PORTS
0 = CARTRIDGE ONLY
02BX = G 1/4" BSSP
06TX = SAE - #6
 "A" = ALUM. HOUSING
 "S" = STEEL HOUSING

TERMINALS
L=18GA. 24" LEADS
T=SPADE TERM.
B=BOLT TERM.
G=DIN43650
W=WEATHER-PACK
D=DEUTSCH-DT04-2P
M=METRI-PACK CONN.

VOLTAGE	AMPS
12D = 12 VDC	1.7
24D = 24 VDC	.9
36D = 36 VDC	.6
48D = 48 VDC	.5
115D = 115 VDC	.2





SOLENOID VALVE, NORMALLY CLOSED, DIRECT ACTING, BALANCED POPPET (2/2)

DESCRIPTION

This unit is a NORMALLY CLOSED, TWO POSITION, cartridge type, balanced poppet, direct acting, screw in type, solenoid operated, directional control valve.

OPERATIONS

When solenoid coil is de-energized, this valve allows no flow from ports 1 to 2 and 2 to 1.

When solenoid coil is energized, the spool in this valve is shifted and allows flow from ports 1 to 2 and 2 to 1.

Preferred porting for this valve is Inlet at Port 1.

Port 1 to Port 2 operating limits: 5.0 GPM at 5000 PSI

Port 2 to Port 1 operating limits: 3.5 GPM at 5000 PSI
5.0 GPM at 3600 PSI

FEATURES AND BENEFITS

Continuous-duty, very low heat rise & waterproof solenoid coil.

Interchangeable solenoid coils & terminations options available.

Hardened precision fitted poppet & sleeve provides reliable, long life.

Very efficient, wet-armature solenoid core tube construction.

All external carbon steel parts are plated for longer life against the elements.

All cartridge valves are 100% functionally tested.

Industry common cavity.

SPECIFICATIONS

OPERATING PRESSURE: 5,000 PSI [350 Bar]

PROOF PRESSURE: 10,000 PSI [700 Bar]

FLOW: 5.0 GPM [22 l/m] See performance chart.

INTERNAL LEAKAGE: 5 drops/min [0.25 cc/m] @ 5,000 PSI [350 Bar]

VALVE HOUSINGS: 2500 PSI [175 Bar] = Aluminum - Anodized.

5000 PSI [350 Bar] = Steel - Unplated.

OPERATING TEMPERATURE: -40° to +250° F. [-40° to +120° C.]

OPERATING MEDIA: All general purpose hydraulic fluids such as
MIL-H-5606, SAE-#10, SAE-#20, etc.

PRESSURE DROP (1-2) 100 PSI @ 5 GPM

PRESSURE DROP (2-1) 100 PSI @ 4.5 GPM

RESPONSE TIME: First indication of change in pressure with 100%
voltage supplied @ 80% of nominal flow rating.

* Pull-In: 50 ms

* Drop-Out: 50 ms

SEAL KIT: SKN-0821 Buna "N"

SKV-0821 Viton

INSTALLATION: No restrictions.

WEIGHT: .90 lb [0,41 kg] cartridge with coil only.

VALVE CAVITY: #C0820, See Page 0-011.0.