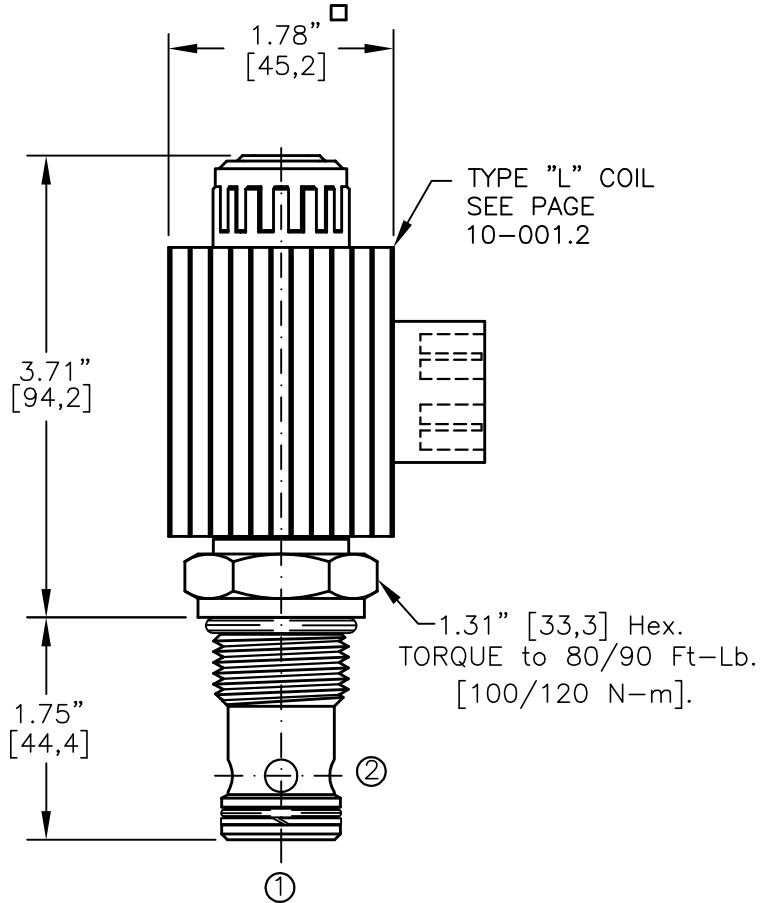
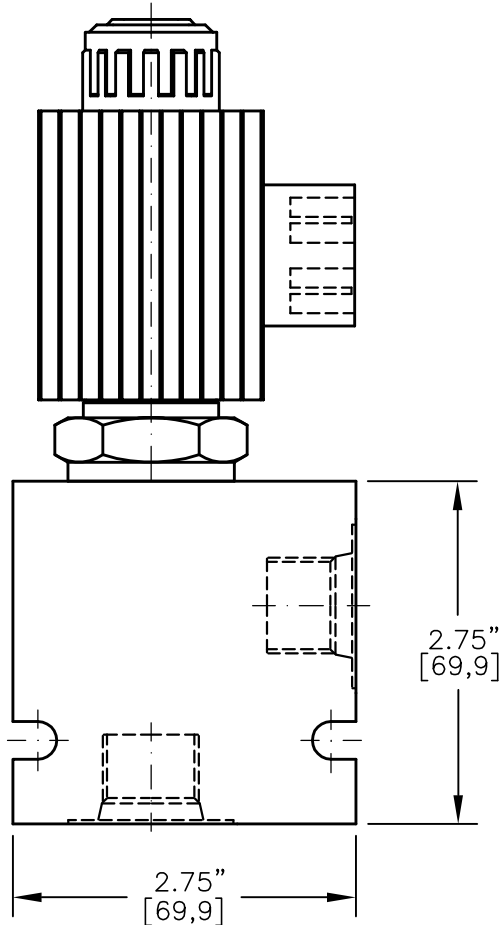
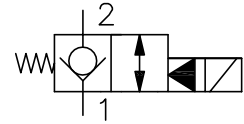




SOLENOID VALVE, NORMALLY CLOSED.
PILOT OPERATED, POPPET TYPE (2/2)



NOTES:

1. FOR ALUMINUM OR STEEL VALVE HOUSING CONFIGURATIONS SEE PAGE 0-013.1
2. SOLENOIDS AVAILABLE WITH DIODES - CONSULT FACTORY.
3. ALL A.C. COILS ARE INTERNALLY A.C. TO D.C. RECTIFIED.

EMDV-12-X-C4-X-XXX X

BASIC

SIZE
12 = 1.062"-12UNF

SEALS

N = BUNA "N"
V = VITON

TYPE

C4=NORMALLY CLOSED POPPET
2-WAY, 2-POSITION

PORTS

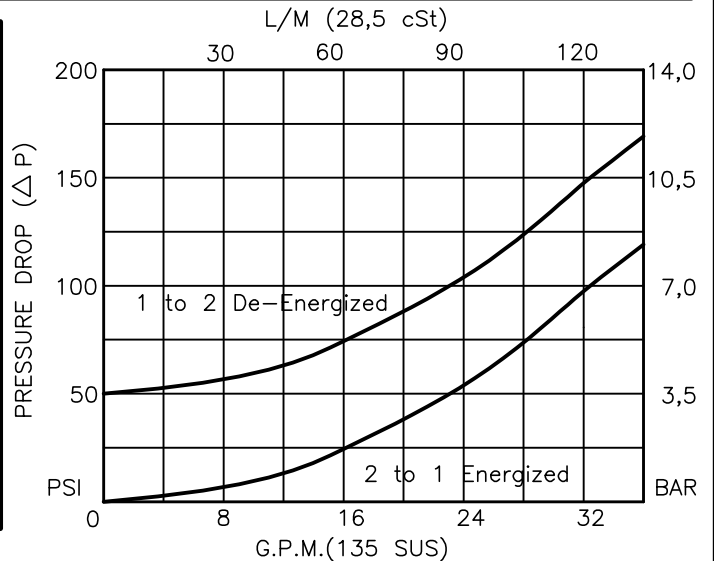
0 = CARTRIDGE ONLY
 04BX = G 1/2" BSPP
 06BX = G 3/4" BSPP
 10TX = SAE - #10
 12TX = SAE - #12
 "A" = ALUM. HOUSING
 "S" = STEEL HOUSING

TERMINALS

L=18GA. 24" LEADS
 T=SPADE TERM.
 B=BOLT TERM.
 G=DIN43650
 W=WEATHER-PACK
 D=DEUTSCH-DT04-2P
 M=METRI-PACK CONN.

VOLTAGE AMPS

12D = 12 VDC 3.00
 24D = 24 VDC 1.50
 36D = 36 VDC 1.00
 48D = 48 VDC 0.75
 110D = 110 VDC 0.33
 115A = 115 VAC 0.32
 230A = 230 VAC 0.16





SOLENOID VALVE, NORMALLY CLOSED, PILOT OPERATED, POPPET TYPE (2/2)

DESCRIPTION

This unit is a NORMALLY CLOSED, TWO POSITION, cartridge type, poppet type, pilot operated, screw in type, solenoid operated, directional control valve.

OPERATIONS

When solenoid coil is de-energized, this valve allows no flow from ports 2 to 1 and free flow from ports 1 to 2. When solenoid coil is energized, the poppet in this valve is shifted and allows flow from ports 2 to 1 and free flow between ports 1 and 2.

FEATURES AND BENEFITS

Continuous-duty, very low heat rise & waterproof solenoid coil. Interchangeable solenoid coils & terminations options available. Hardened precision fitted poppet & sleeve provides reliable, long life. Very efficient, wet-armature solenoid core tube construction. All external carbon steel parts are plated for longer life against the elements. All cartridge valves are 100% functionally tested. Industry common cavity.

SPECIFICATIONS

OPERATING PRESSURE: 5,000 PSI [350 Bar]
PROOF PRESSURE: 10,000 PSI [700 Bar]
FLOW: 36.0 GPM [136 l/m] See performance chart.
INTERNAL LEAKAGE: 5 drops/min [0.25 cc/m] @ 5,000 PSI (350 Bar)
VALVE HOUSINGS: 2500 PSI [175 Bar] = Aluminum - Anodized.
5000 PSI [350 Bar] = Steel - Unplated.
OPERATING TEMPERATURE: -40° to +250° F. [-40° to +120° C.]
OPERATING MEDIA: All general purpose hydraulic fluids such as MIL-H-5606, SAE-#10, SAE-#20, etc.
RESPONSE TIME: First indication of change in pressure with 100% voltage supplied @ 80% of nominal flow rating.
* Pull-in: 50 ms
* Drop-Out: 50 ms
SEAL KIT: SKN-1221 Buna "N"
SKV-1221 Viton
INSTALLATION: No restrictions.
WEIGHT: 1.98 lb [0,90 kg] cartridge with coil only.
VALVE CAVITY: #C1220, See Page 0-013.0.