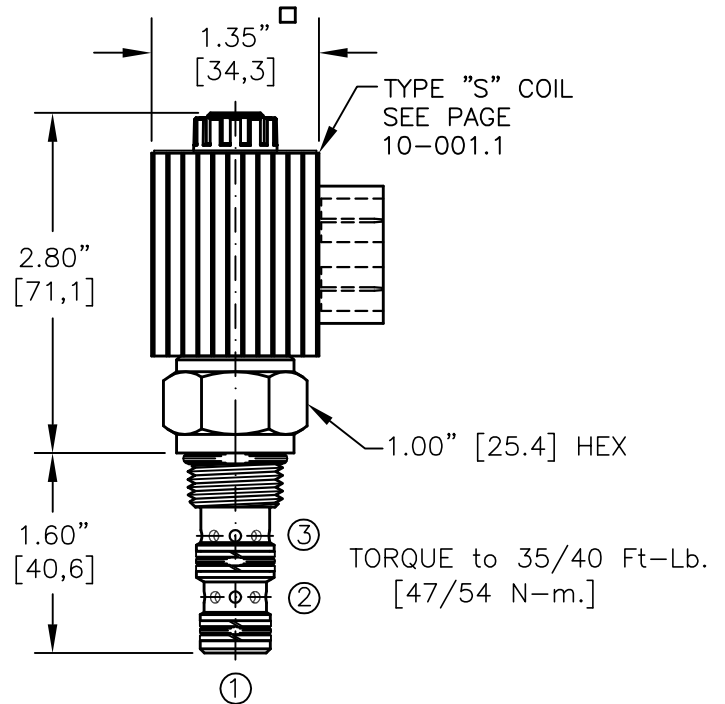
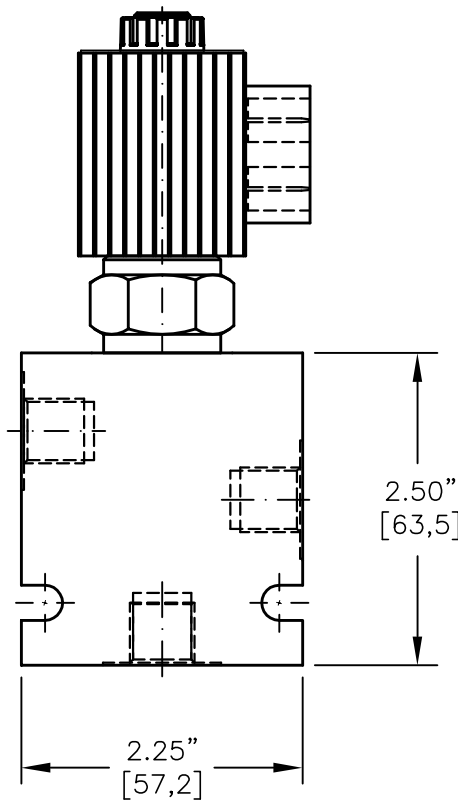
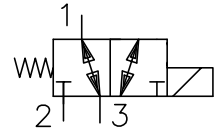




# SOLENOID VALVE, 3-WAY, 2-POSITION DIRECT ACTING, SPOOL TYPE (3/2)



NOTES:

- 1. FOR ALUMINUM OR STEEL VALVE HOUSING CONFIGURATIONS SEE PAGE 0-031.1
- 2. SOLENOIDS AVAILABLE WITH DIODES - CONSULT FACTORY.
- 3. FOR "AC" COILS USE RECTIFIED DIN CONNECTOR 20828.

### EMDV-08-X-3R-X-XXX X

BASIC

SIZE  
08 = 3/4"-16UNF

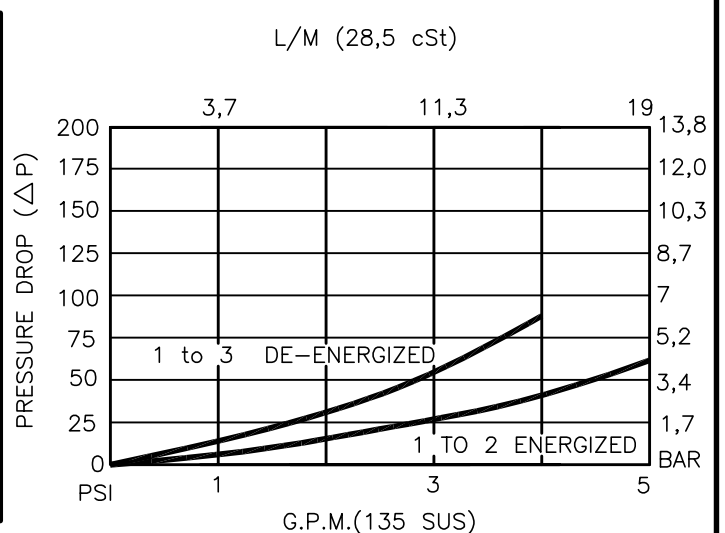
SEALS  
N = BUNA "N"  
V = VITON

TYPE  
3R= "R" SPOOL  
3-WAY, 2-POSITION

PORTS  
0 = CARTRIDGE ONLY  
02BX = G 1/4" BSSP  
06TX = SAE - #6  
"A" = ALUM. HOUSING  
"S" = STEEL HOUSING

TERMINALS  
L=18GA. 24" LEADS  
T=SPADE TERM.  
B=BOLT TERM.  
G=DIN43650  
W=WEATHER-PACK  
D=DEUTSCH-DT04-2P  
M=METRI-PACK CONN.

VOLTAGE	AMPS
12D = 12 VDC	1.7
24D = 24 VDC	.9
36D = 36 VDC	.6
48D = 48 VDC	.5
115D = 115 VDC	.2





## SOLENOID VALVE 3-WAY, 2-POSITION, DIRECT ACTING, SPOOL TYPE (3/2)

### DESCRIPTION

This unit is a THREE-WAY, TWO POSITION, cartridge type, spool type, direct acting, screw in type, solenoid operated, directional control valve.

### OPERATIONS

When solenoid coil is de-energized, this valve allows flow between ports 1 and 3 and port 2 is blocked. When solenoid coil is energized, the spool in this valve is shifted and allows flow between ports 1 and 2 and port 3 is blocked. This valve shifts in a open position.

### FEATURES AND BENEFITS

Continuous-duty, very low heat rise & waterproof solenoid coil. Interchangeable solenoid coils & terminations options available. Hardened precision fitted spool & sleeve provides reliable, long life. Very efficient, wet-armature solenoid core tube construction. All external carbon steel parts are plated for longer life against the elements. All cartridge valves are 100% functionally tested. Industry common cavity.

### SPECIFICATIONS

OPERATING PRESSURE: 5,000 PSI [350 Bar]  
PROOF PRESSURE: 10,000 PSI [700 Bar]  
FLOW: 5.0 GPM [19 l/m] See performance chart.  
INTERNAL LEAKAGE: 5 cu.in/min [82 cc/m] @ 5,000 PSI [350 Bar]  
VALVE HOUSINGS: 2500 PSI [175 Bar] = Aluminum - Anodized.  
5000 PSI [350 Bar] = Steel - Unplated.  
OPERATING TEMPERATURE: -40° to +250° F. [-40° to +120° C.]  
OPERATING MEDIA: All general purpose hydraulic fluids such as MIL-H-5606, SAE-#10, SAE-#20, etc.  
RESPONSE TIME: First indication of change in pressure with 100% voltage supplied @ 80% of nominal flow rating.  
\* Pull-in: 50 ms  
\* Drop-Out: 50 ms  
SEAL KIT: SKN-0832 Buna "N"  
SKV-0832 Viton  
INSTALLATION: No restrictions.  
WEIGHT: .95 lb [0.43 kg] cartridge with coil only.  
VALVE CAVITY: #C0830, See Page 0-031.0.