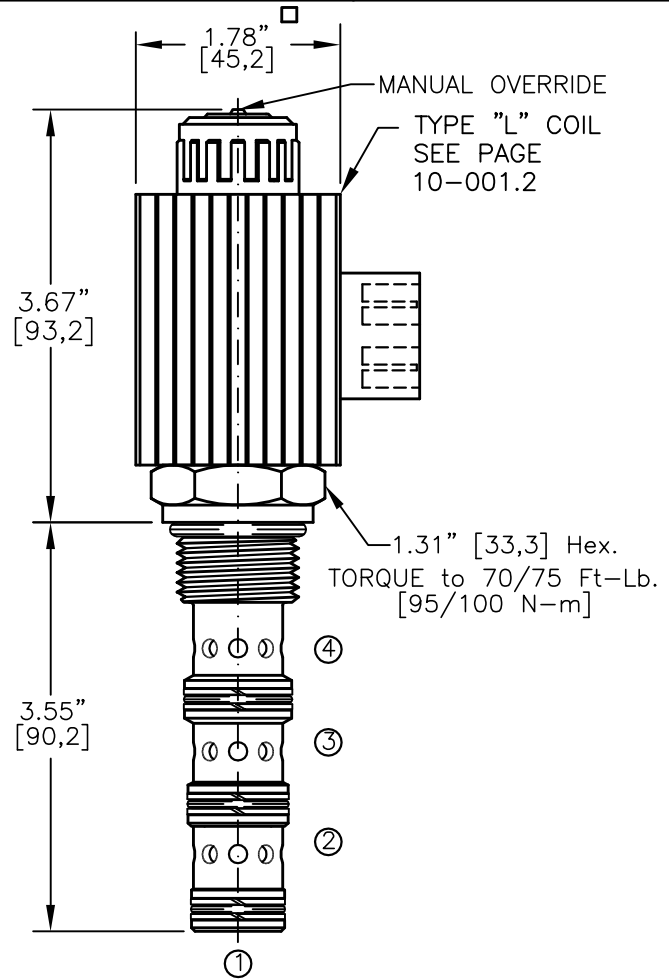
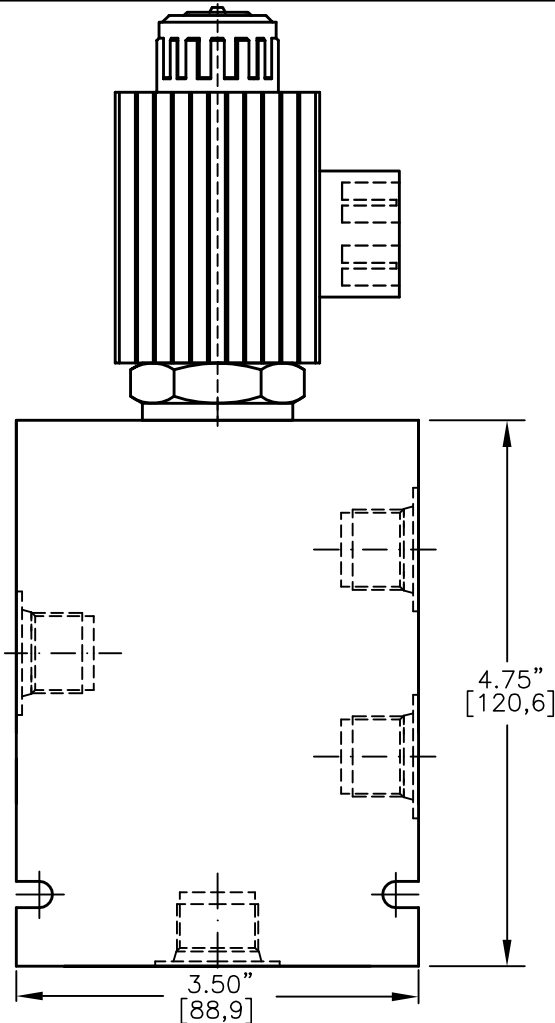
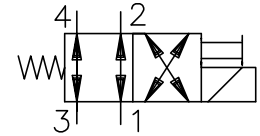




SOLENOID VALVE, 4-WAY, 2-POSITION.  
DIRECT ACTING, SPOOL TYPE (4/2)



NOTES:

- 1. FOR ALUMINUM OR STEEL VALVE HOUSING CONFIGURATIONS SEE PAGE 0-043.1
- 2. SOLENOIDS AVAILABLE WITH DIODES - CONSULT FACTORY.
- 3. ALL A.C. COILS ARE INTERNALLY A.C. TO D.C. RECTIFIED.
- 4. FOR SOFT SHIFT SOLENOID VALVE SEE PAGE 10-002.0

EMDV-12-X-4A-X-XXX X

BASIC

SIZE  
12 = 1.062"-12UNF

SEALS

N = BUNA "N"  
V = VITON

TYPE

4A = "A" SPOOL  
4-WAY, 2-POSITION

PORTS

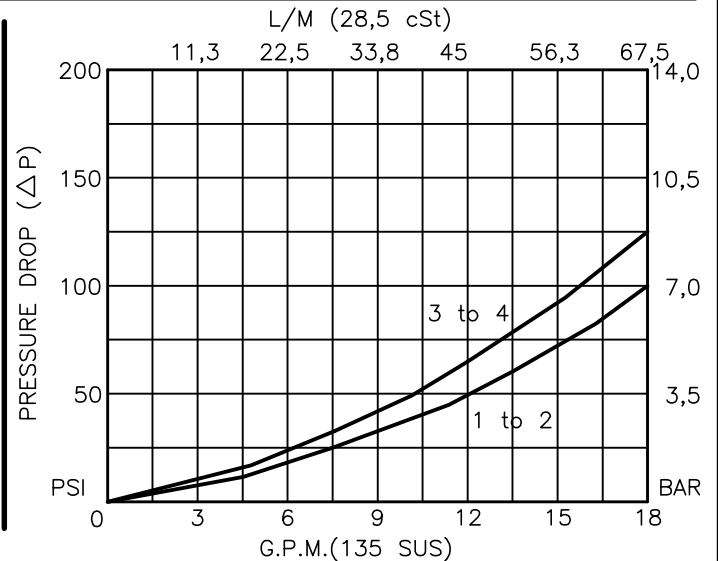
0 = CARTRIDGE ONLY  
 04BX = G 1/2" BSPP  
 06BX = G 3/4" BSPP  
 10TX = SAE - #10  
 12TX = SAE - #12  
 "A" = ALUM. HOUSING  
 "S" = STEEL HOUSING

TERMINALS

L=18GA. 24" LEADS  
 T=SPADE TERM.  
 B=BOLT TERM.  
 G=DIN43650  
 W=WEATHER-PACK  
 D=DEUTSCH-DT04-2P  
 M=METRI-PACK CONN.

VOLTAGE AMPS

12D = 12 VDC 3.00  
 24D = 24 VDC 1.50  
 36D = 36 VDC 1.00  
 48D = 48 VDC 0.75  
 110D = 110 VDC 0.33  
 115A = 115 VAC 0.32  
 230A = 230 VAC 0.16





## SOLENOID VALVE 4-WAY, 2-POSITION, DIRECT ACTING, SPOOL TYPE (4/2)

### DESCRIPTION

This unit is a FOUR-WAY, TWO POSITION, cartridge type, spool type, direct acting, screw in type, solenoid operated, directional control valve.

### OPERATIONS

When solenoid coil is de-energized, this valve allows flow between ports 1 and 2, ports 3 and 4.

When solenoid coil is energized, the spool in this valve is shifted and allows flow between ports 1 and 4, ports 2 and 3. "This valve shifts in a close center position".  
Manual Operator Standard: Push in and hold a small plunger on top of the valve with a screw driver or a similar plunger smaller than .188" dia.

### FEATURES AND BENEFITS

Continuous-duty, very low heat rise & waterproof solenoid coil.  
Interchangeable solenoid coils & terminations options available.  
Hardened precision fitted spool & sleeve provides reliable, long life.  
Very efficient, wet-armature solenoid core tube construction.  
All external carbon steel parts are plated for longer life against the elements.  
All cartridge valves are 100% functionally tested.

### SPECIFICATIONS

OPERATING PRESSURE: 5,000 PSI [350 Bar]

PROOF PRESSURE: 10,000 PSI [700 Bar]

FLOW: 16.0 GPM [60 l/m] See performance chart.

INTERNAL LEAKAGE: 5cu.in/min [82 cc/m] @ 5,000 PSI [350 Bar]

VALVE HOUSINGS: 2500 PSI [175 Bar] = Aluminum - Anodized.

5000 PSI [350 Bar] = Steel - Unplated.

OPERATING TEMPERATURE: -40° to +250° F. [-40° to +120° C.]

OPERATING MEDIA: All general purpose hydraulic fluids such as MIL-H-5606, SAE-#10, SAE-#20, etc.

RESPONSE TIME: First indication of change in pressure with 100% voltage supplied @ 80% of nominal flow rating.

\* Pull-in: 50 ms

\* Drop-Out: 50 ms

SEAL KIT: SKN-1242 Buna "N"

SKV-1242 Viton

INSTALLATION: No restrictions.

WEIGHT: 2.13 lb [.97 kg] cartridge with coil only.

VALVE CAVITY: #C1240, See Page 0-043.0.