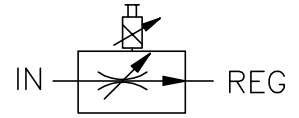


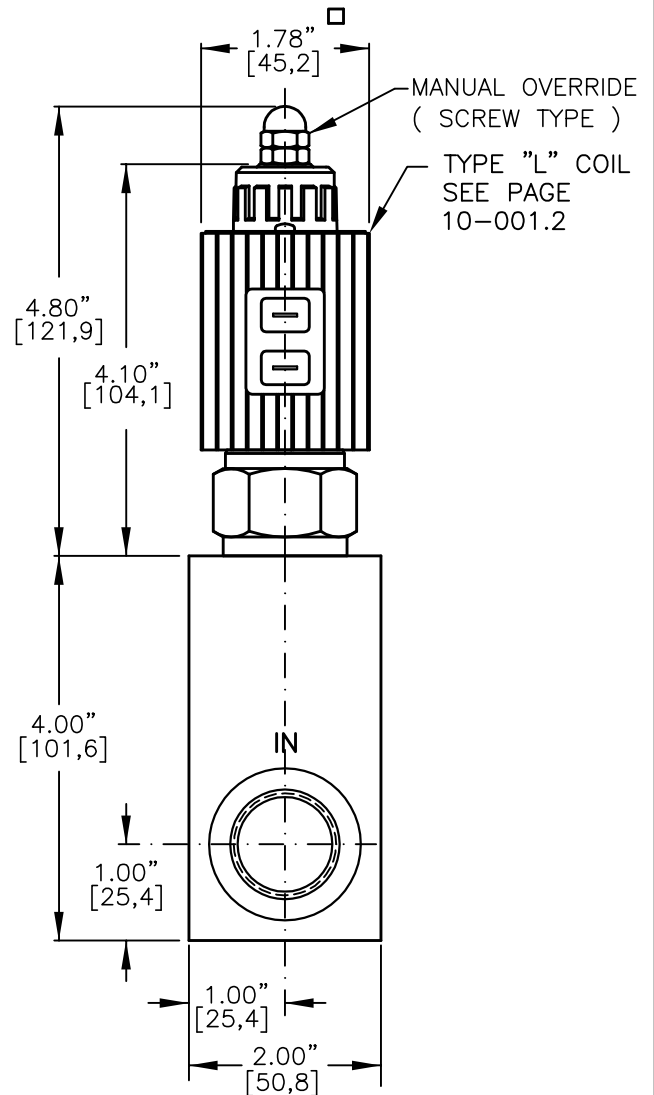
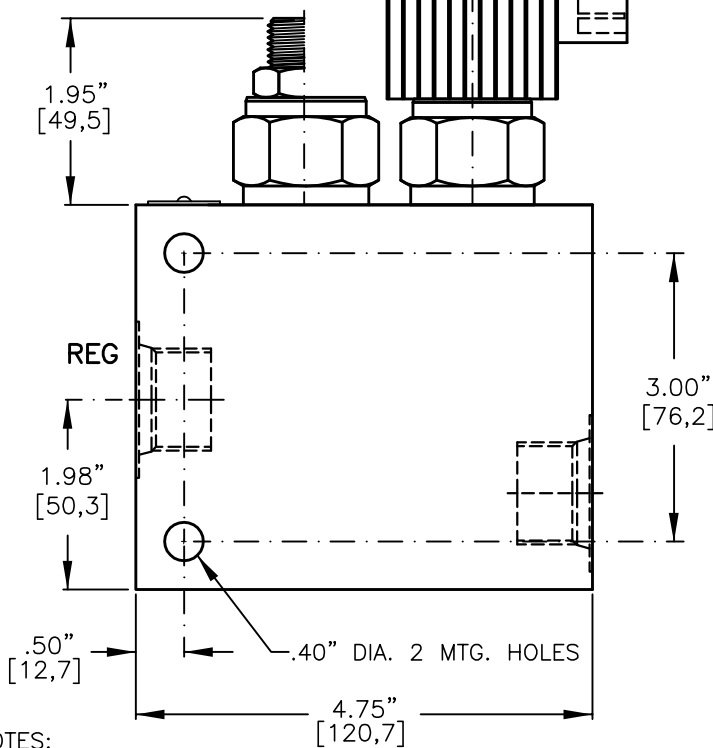


PRESSURE COMPENSATED, NORMALLY CLOSED OR NORMALLY OPEN PROPORTIONAL, IN-LINE FLOW CONTROL VALVE.



UL approved coil, IP68 and IP69K rated when used with waterproof connector.

LIMITED RANGE ADJUSTMENT (SCREW TYPE)



- NOTES:
- SOLENOIDS AVAILABLE WITH DIODES - CONSULT FACTORY.

PIFC-12-X-X-XX-X-X-X-XXX-XXX X

BASIC

SIZE  
12=1.062"-12UNF

SEALS  
N = BUNA "N"  
V = VITON

STYLE  
C = NORMALLY CLOSED  
O = NORMALLY OPEN

REGULATED FLOW  
06 = 0 TO 6.0 GPM  
12 = 0 TO 12.0 GPM  
18 = 0 TO 18.0 GPM  
24 = 0 TO 24.0 GPM

TERMINALS

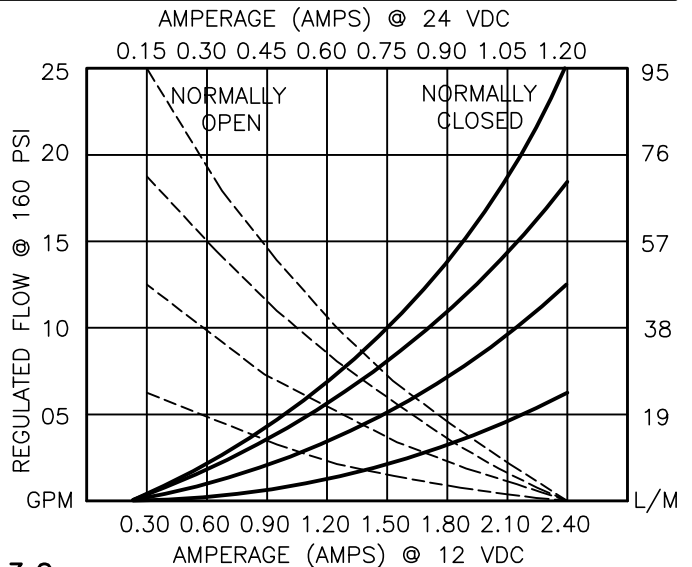
L=18GA. 24" LEADS  
T=SPADE TERM.  
B=BOLT TERM.  
G=DIN43650  
W=WEATHER-PACK  
D=DEUTSCH-DT04-2P  
M=METRI-PACK CONN.  
VOLTAGE AMPS  
12D = 12 VDC 3.00  
24D = 24 VDC 1.50

ADJUSTMENT OPTIONS

O-F-100 = NONE  
M-F-100 = MANUAL OVERRIDE  
O-S-160 = LIMITED RANGE ADJ.  
M-S-160 = BOTH MO/LTD ADJ.

PORTS

12TX = SAE - #12  
"A" = ALUM. HOUSING  
"S" = STEEL HOUSING



**PRESSURE COMPENSATED, PROPORTIONAL, IN-LINE, FLOW CONTROL VALVE.****DESCRIPTION**

This valve is an electro-hydraulic, proportional, in-line (Restrictive) type, pressure compensated, hydraulic flow control. Regulated flow Normally Closed 0 to 24.0 GPM, [0 to 91,2 L/M] max. Normally Open 24.0 to 0 GPM [91,2 to 0 L/M] is proportional to the current input, regardless of load or system pressure.

**OPERATIONS**

This unit is a direct acting (NO PILOT FLOW), electro-hydraulic, proportional, pressure compensated, flow control valve. When the coil is energized the armature moves the metering orifice open or close against a precision bias spring varying the flow. A pressure compensator spool (HYDROSTAT) modulates the flow at 160 PSI/11,0 Bar delta "P" providing the valve with a constant regulated flow regardless of load or system pressure. When current is increased or decreased to the coil; the flow will increase or decrease proportionally.

IN THE EVENT OF POWER FAILURE THE VALVE WILL CLOSE OR OPEN RESPECTIVELY.

**FEATURES AND BENEFITS**

Continuous-duty, very low heat rise & waterproof solenoid coil.  
Interchangeable solenoid coils & terminations options available.  
Hardened precision fitted spool & sleeve provides reliable, long life.  
Very efficient wet - armature solenoid core tube construction.  
All external carbon steel parts are plated for longer life against the elements.  
All valves are 100% functionally tested.

**SPECIFICATIONS**

OPERATING PRESSURE: 5,000 PSI [350 Bar]  
PROOF PRESSURE: 10,000 PSI [700 Bar]  
REGULATED FLOW: 24.0 GPM [91,2 L/M] Max. See performance chart.  
INTERNAL LEAKAGE: 30 cu.in/min [495 cc/m] @ 5,000 PSI [350 Bar]  
VALVE HOUSINGS: 2500 PSI [175 Bar] = Aluminum - Anodized.  
5000 PSI [350 Bar] = Steel - Unplated.  
OPERATING TEMPERATURE: -40° to +250° F. [-40° to +120° C.]  
OPERATING MEDIA: All general purpose hydraulic fluids such as  
MIL-H-5606, SAE-#10, SAE-#20, etc.  
RESPONSE: The most efficient method to control this valve is with  
current control and a 50 Hz dither.  
POWER REQUIREMENTS: 12 VDC, Operating current 0.4 to 2.4 AMPS.  
24 VDC, Operating current 0.2 to 1.2 AMPS.  
SEAL KIT: Buna "N": SKN-1222, SKN-1232  
VITON: SKV-1222, SKV-1232  
INSTALLATION: No restrictions.  
WEIGHT: 5.52 lbs [2,51 kg]. aluminum body.  
15.60 lbs [7,10 kg]. steel body.