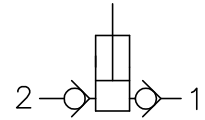
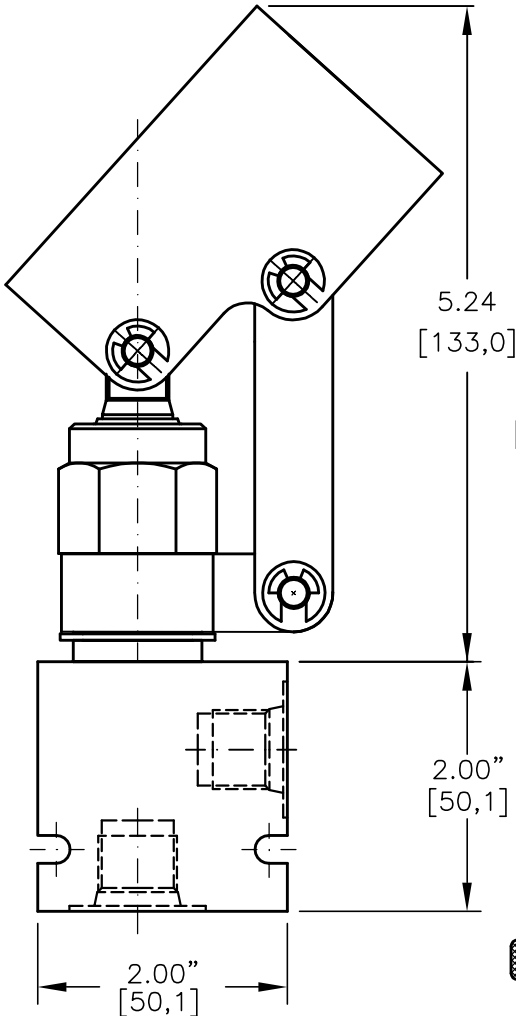




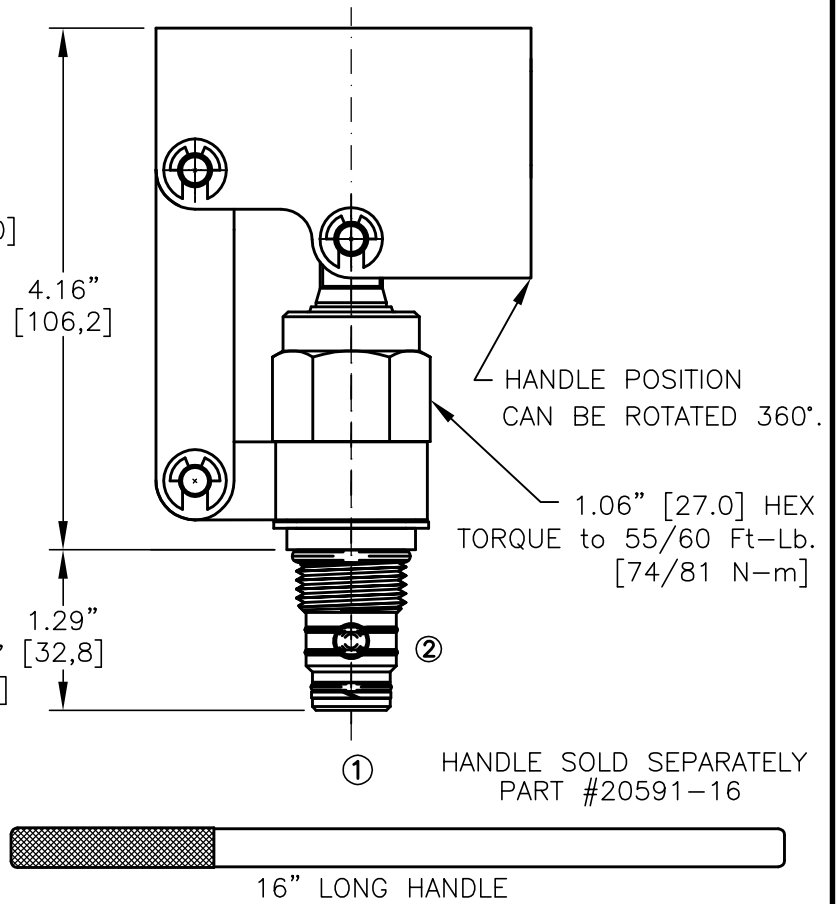
CARTRIDGE MANUAL HAND PUMP PUSH TO PRESSURIZE OR PULL TO PRESSURIZE



PULL TO PRESSURIZE



PUSH TO PRESSURIZE



HANDLE SOLD SEPARATELY
PART #20591-16

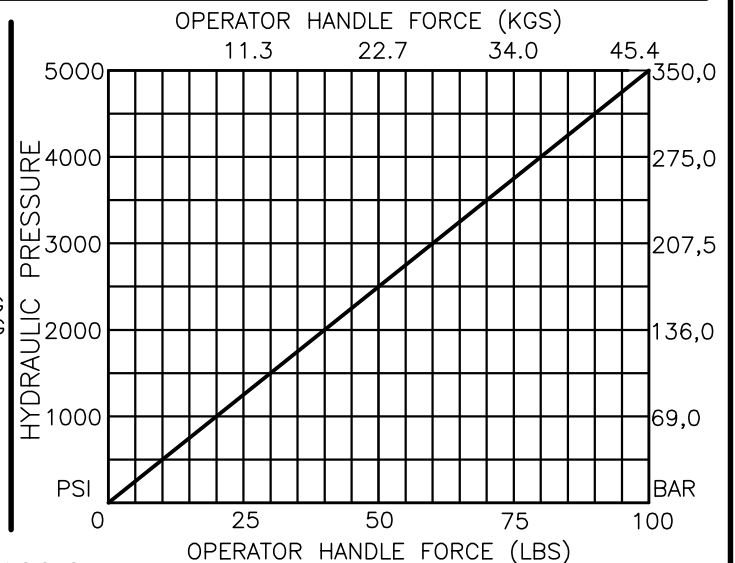
FOR ALUMINUM OR STEEL VALVE HOUSING CONFIGURATIONS SEE PAGE 0-012.1

CMHP-10-X-X-X

BASIC _____
SIZE _____
10 = 7/8"-14UNF
SEALS _____
N = BUNA "N"
V = VITON

PORTS
0 = CARTRIDGE ONLY
02BX = G 1/4" BSPP
03BX = G 3/8" BSPP
06TX = SAE - #6
08TX = SAE - #8
"A" = ALUM. HOUSING
"S" = STEEL HOUSING

TYPE _____
2 = .250 CUBIC INCHES (4.0 CC)
DISPLACEMENT PER FULL STROKE



12-100.0



CARTRIDGE MANUAL HAND PUMP PULL TO PRESSURIZE OR PUSH TO PRESSURIZE

DESCRIPTION

This unit is a SCREW IN, cartridge type, plunger type, push to pressurize or pull to pressurize, hydraulic manual hand pump.

OPERATIONS

This hand pump allows free flow from port 1 to port 2 when plunger is pulled out and pressurize port 2 when plunger is pushed in. Handle position can be rotated 360° around the vertical axis.

FEATURES AND BENEFITS

Low effort leakproof pump plunger with 16" handle delivers .250 cu/in per one full stroke.

Pull the plunger out to fill the cylinder, push the plunger in to pressurize.

All external carbon steel parts are plated for longer life against the elements.

All cartridge hand pumps are 100% functionally tested.

Industry common cavity.

SPECIFICATIONS

OPERATING PRESSURE: 5,000 PSI [350 Bar]

PROOF PRESSURE: 10,000 PSI [700 Bar]

FLOW: .250 cu/in [4,0 cc] per full stroke . See performance chart.

INTERNAL LEAKAGE: 5 drops per minute maximum @ 5,000 PSI (350 Bar)

VALVE HOUSINGS: 2500 PSI [175 Bar] = Aluminum - Anodized.

5000 PSI [350 Bar] = Steel - Unplated.

OPERATING TEMPERATURE: -40° to +250° F. [-40° to +120° C.]

OPERATING MEDIA: All general purpose hydraulic fluids such as MIL-H-5606, SAE-#10, SAE-#20, etc.

INSTALLATION: No restrictions.

SEAL KIT: SKN-1021 Buna "N".

SKV-1021 Viton.

WEIGHT: 2.9 lb [.85 kg] cartridge with handle.

VALVE CAVITY: #C1020, See Page 0-012.0.